

REVISION HISTORY

REV	DATE	PAGES AFFECTED
C.1	11/05/84	RELEASE TO MANUFACTURING

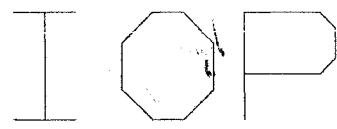


TABLE OF CONTENTS:

- IOP.1 (COVER)
- IOP.2 (CPU)
 - IOP.2 CPU.1 (68K AND BUFFERS)
 - IOP.2 CPU.1 DPAR0.1
 - IOP.2 CPU.2 (ADDRESS DECODE)
 - IOP.2 CPU.2 APAR0.1
 - IOP.2 CPU.3 (DTACK AND BUSERROR)
 - IOP.2 CPU.4 (MEMORY CONTROL)
 - IOP.2 CPU.5 (MEMORY PROTECT AND STROBES)
 - IOP.2 CPU.6 (DYNAMIC MEMORY)
 - IOP.2 CPU.6 RFC.1
 - IOP.2 CPU.6 CPURAM.1
 - IOP.2 CPU.7 (ROMS & LSI DATA BUFFERS)
 - IOP.2 CPU.8 (MISC REGS)
 - IOP.2 CPU.9 (PBUS INTERRUPTS)
 - IOP.2 CPU.10 (INTERRUPT CONTROLLER)
 - IOP.2 CPU.11 (INTERRUPT STATUS REG)
 - IOP.2 CPU.12 (CACHE INTERFACE)
 - IOP.2 CPU.13 (CLOCKS AND PULLUPS)
- IOP.3 (MBC0)
 - IOP.3 MB0.1 (DATA)
 - IOP.3 MB0.2 (ADDRESS)
 - IOP.3 MB0.3 (CONTROL)
 - IOP.3 MB0.4 (MISC CONTROL)
 - IOP.3 MB0.5 (ARBITER)
 - IOP.3 MB0.6 (CLOCKS)
- IOP.4 (MBC1)
 - IOP.4 MB1.1 (DATA)
 - IOP.4 MB1.2 (ADDRESS)
 - IOP.4 MB1.3 (CONTROL)
 - IOP.4 MB1.4 (MISC CONTROL)
 - IOP.4 MB1.5 (ARBITER)
 - IOP.4 MB1.6 (CLOCKS)
- IOP.5 (CACHE)
 - IOP.5 CACHE.1 (ARBITER)
 - IOP.5 CACHE.2
 - IOP.5 CACHE.3 (BYTE DIRTY)
 - IOP.5 CACHE.4 (CACHE)
 - IOP.5 CACHE.5 (PBUS DATA)
 - IOP.5 CACHE.5 CPAR.1
 - IOP.5 CACHE.6 (PBUS STATE MACHINE)
 - IOP.5 CACHE.7 (PARTIAL_ZONE, BYTE COUNT)
 - IOP.5 CACHE.8 (A/B DIRTY BITS)
 - IOP.5 CACHE.9 (RAM WRT ENABLES)
 - IOP.5 CACHE.10
 - IOP.5 CACHE.10 CPMX.1
 - IOP.5 CACHE.10 ADDR0.1
 - IOP.5 CACHE.10 APAR1.1
 - IOP.5 CACHE.10 PMAP.1
 - IOP.5 CACHE.10 BFRTG.1
 - IOP.5 CACHE.11
 - IOP.5 CACHE.11 ASR.1
 - IOP.5 CACHE.11 PFAG.1
 - IOP.5 CACHE.11 TAR.1
 - IOP.5 CACHE.11 CAR.1
 - IOP.5 CACHE.12
 - IOP.5 CACHE.13
 - IOP.5 CACHE.14
 - IOP.5 CACHE.15
 - IOP.5 CACHE.16 (PBUS ERROR LOG)
 - IOP.5 CACHE.17 (ERROR CHECK)
 - IOP.5 CACHE.18 (DIAGNOSTIC READ BUFFERS)
 - IOP.5 CACHE.19 (CLOCKS AND SCAN CONNECTIONS)
- IOP.6 (SCAN AND CLOCK CONTROL)
- IOP.7 (CONNECTOR P1)
- IOP.8 (CONNECTOR P2)
- IOP.9 (CONNECTOR P3)
- IOP.10 (CONNECTOR P4)
- IOP.11 (CONNECTOR P5)
- IOP.12 (EXTERNAL POWER CONNECTOR)

DEFINE
FIRST
STEP SITE

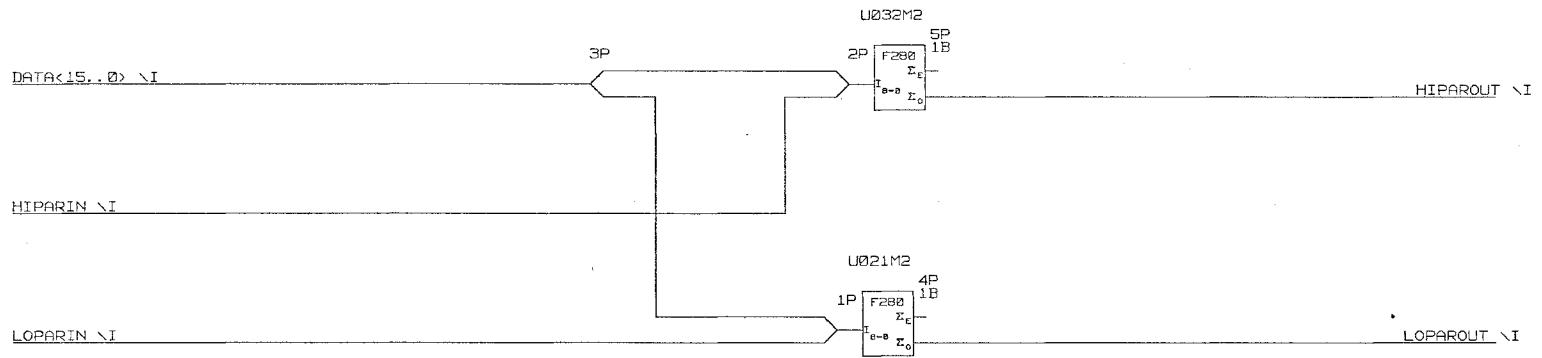
THIS DOCUMENT CONTAINS INFORMATION PROPRIETARY TO CONVEX COMPUTER CORPORATION (CONVEX). USE OR DISCLOSURE WITHOUT THE WRITTEN PERMISSION OF AN OFFICER OF CONVEX IS EXPRESSLY FORBIDDEN. COPYRIGHT (C) CONVEX 1984



TITLE: IOP (COVER) ABBR: IOP
 DRAWING: 410-000121-300 C01 ENGR: LOCKHART
 REVISED: Thu Nov 15 13:37:16 1984 PAGE: IOP.1

8	7	6	5	4	3	2	1
---	---	---	---	---	---	---	---

D
C
B
A



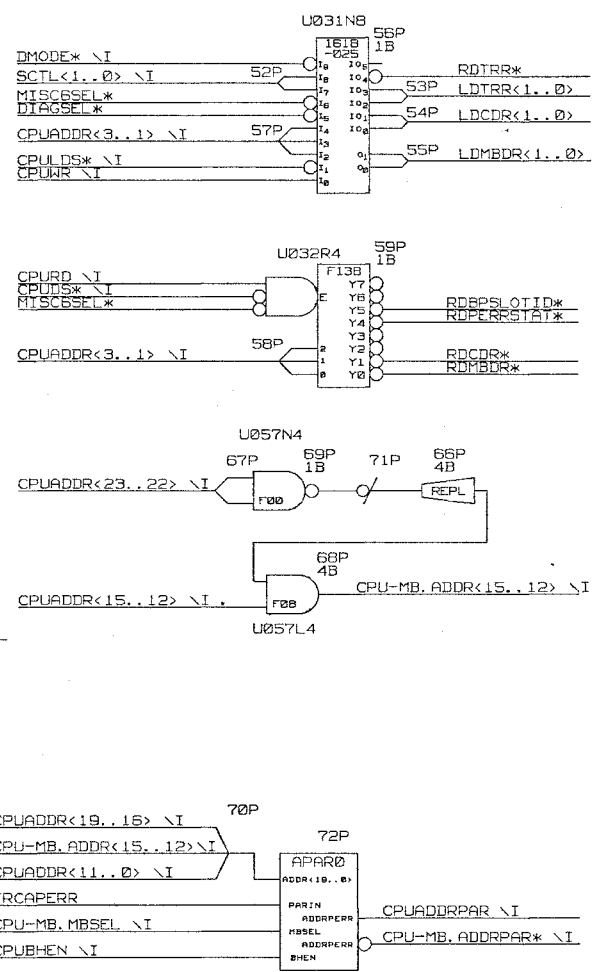
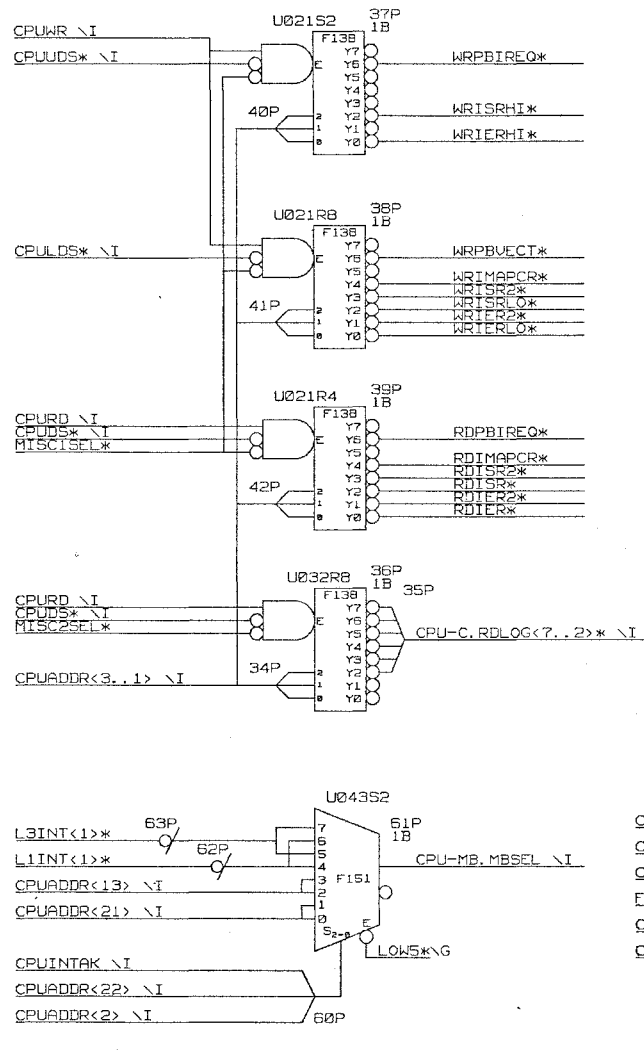
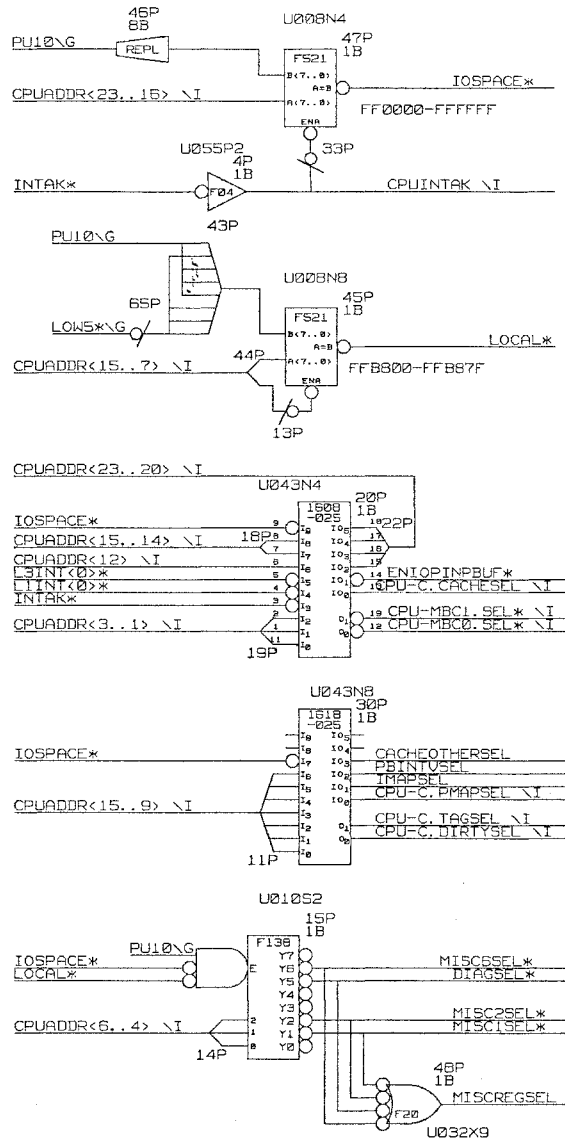
D
C
B
A

THIS DOCUMENT CONTAINS INFORMATION PROPRIETARY TO CONVEX COMPUTER CORPORATION (CONVEX). USE OR DISCLOSURE WITHOUT THE WRITTEN PERMISSION OF AN OFFICER OF CONVEX IS EXPRESSLY FORBIDDEN. COPYRIGHT (C) CONVEX 1984

DEFINE
X_FIRST=0
X_SIZE=32



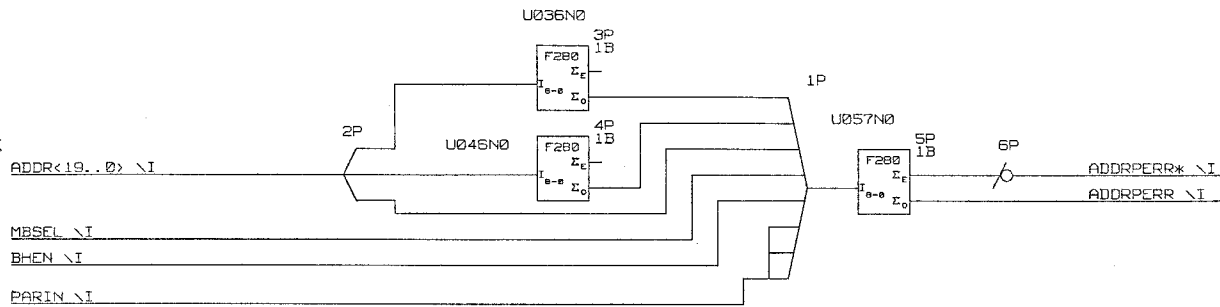
TITLE: DPAR0	ABBR: DPAR0
DRAWING: 410-000121-300 C01	ENGR: LOCKHART
REVISED: Thu Oct 25 15:50:42 1984	PAGE: IOP.2 CPU.1 DPAR0.1



THIS DOCUMENT CONTAINS INFORMATION PROPRIETARY TO CONVEX COMPUTER CORPORATION (CONVEX). USE OR DISCLOSURE WITHOUT THE WRITTEN PERMISSION OF AN OFFICER OF CONVEX IS EXPRESSLY FORBIDDEN. COPYRIGHT (C) CONVEX 1984



TITLE: CPU (ADDRESS DECODE)	ABBR: CPU
DRAWING: 410-000121-300 C01	ENGR: NOBLES
REVISED: Thu Oct 25 15:41:23 1984	PAGE: IOP.2 CPU.2



THIS DOCUMENT CONTAINS INFORMATION PROPRIETARY TO CONVEX COMPUTER CORPORATION (CONVEX). USE OR DISCLOSURE WITHOUT THE WRITTEN PERMISSION OF AN OFFICER OF CONVEX IS EXPRESSLY FORBIDDEN. COPYRIGHT (C) CONVEX 1984

DEFINE
X=FIRSTSTEP
X=STEP=SIZE

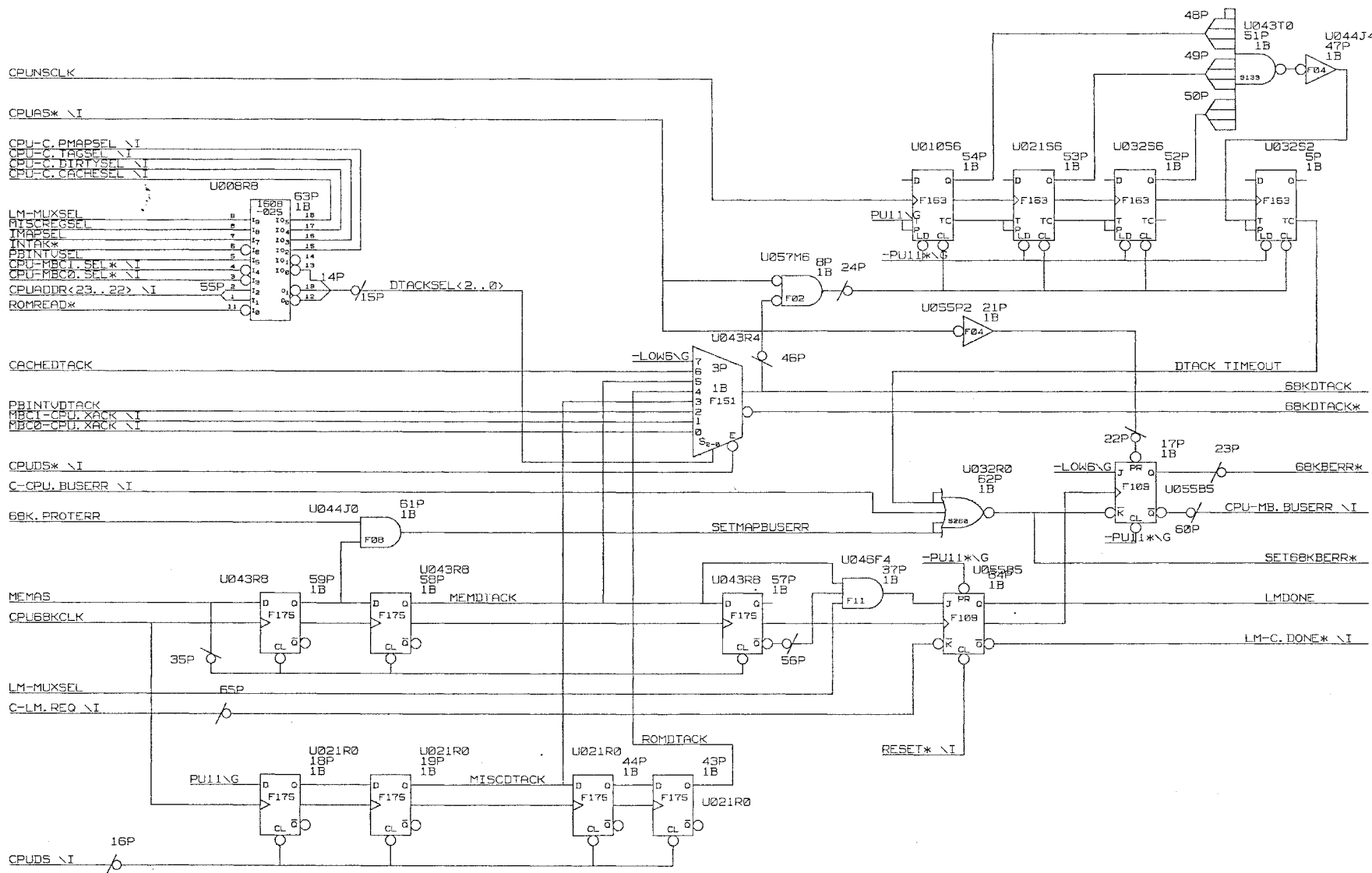


TITLE: APAR0
DRAWING: 410-020121-300 C01

ABBR: APAR0
ENGR: LOCKHART

REVISED: Thu Oct 25 15:51:09 1984 | PAGE: IOP.2 CPU..2 APAR0.1

NOTE: 6.5 MILLISECOND TIMEOUT



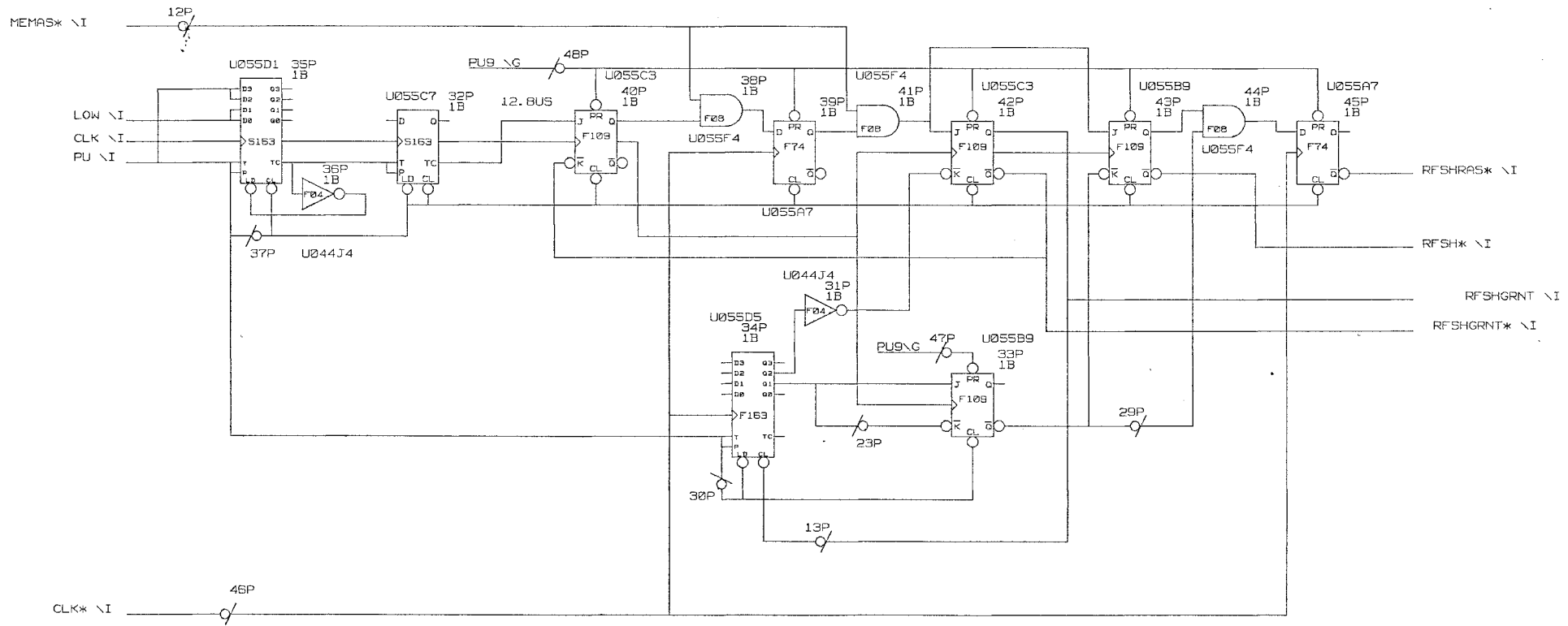
THIS DOCUMENT CONTAINS INFORMATION PROPRIETARY TO CONVEX COMPUTER CORPORATION (CONVEX). USE OR DISCLOSURE WITHOUT THE WRITTEN PERMISSION OF AN OFFICER OF CONVEX IS EXPRESSLY FORBIDDEN. COPYRIGHT (C) CONVEX 1984



TITLE: CPU (DTACK AND BUSERR)	ABBR: CPU
DRAWING: 410-000121-300 C01	ENGR: NOBLES
REVISED: Thu Oct 25 15:42:17 1984	PAGE: IOP.2 CPU.3

REQ SYNC GRNT RFSH RAS

REFRESH TIMER WIRED FOR 5 MHZ CLOCK



THIS DOCUMENT CONTAINS INFORMATION PROPRIETARY TO CONVEX COMPUTER CORPORATION (CONVEX). USE OR DISCLOSURE WITHOUT THE WRITTEN PERMISSION OF AN OFFICER OF CONVEX IS EXPRESSLY FORBIDDEN. COPYRIGHT (C) CONVEX 1984

DEFINE X=FIRST= AND=POSITIVE



TITLE: REFRESH CONTROL

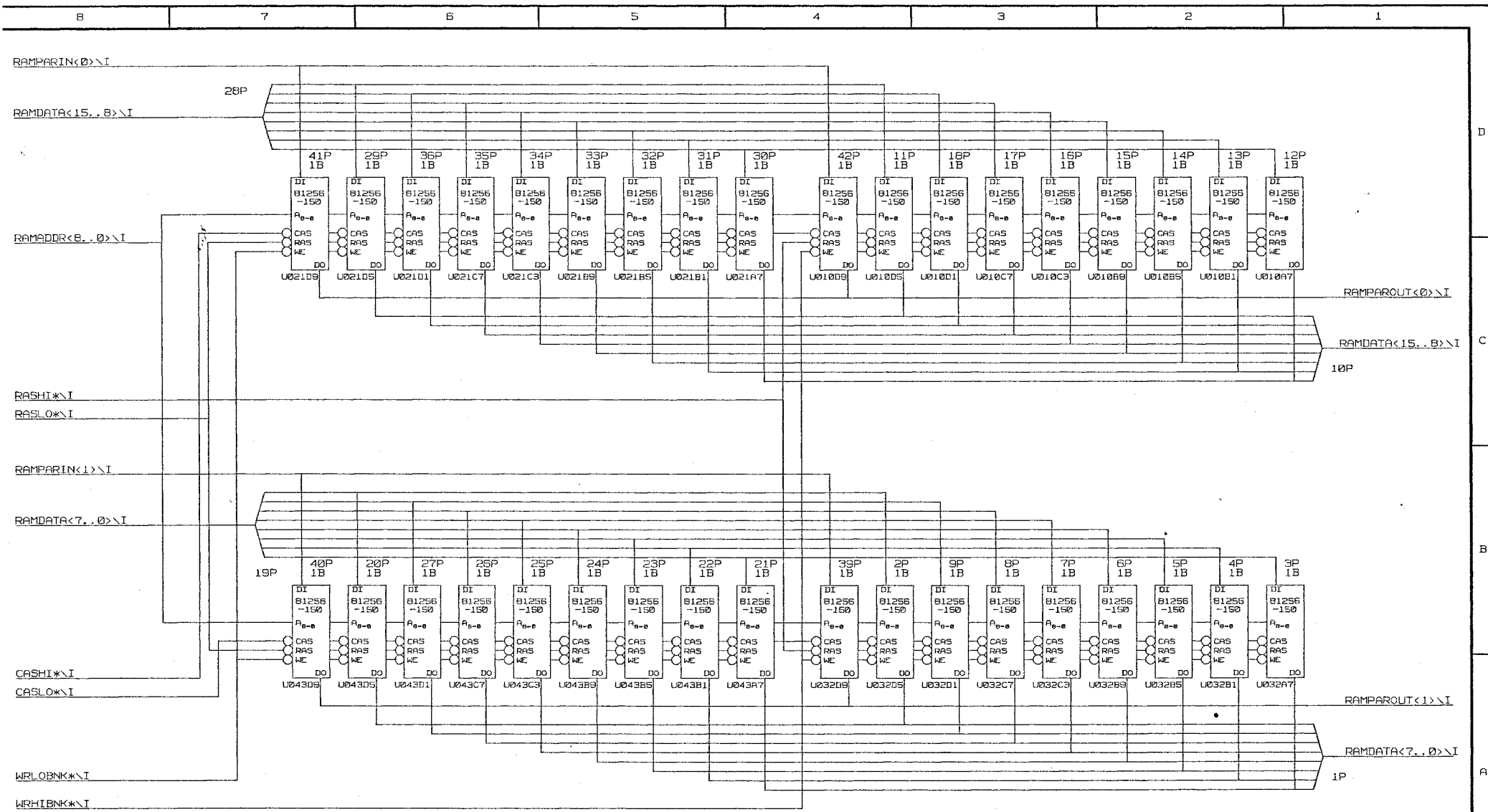
DRAWING: 410-000121-300 C01

REVISED: Tue Nov 15 09:57:47 1984

ABBR: RFC

ENGR: NOBLES

PAGE: IOP.2 CPU.6 RFC.1



FINE
 TEST
 EP=9112

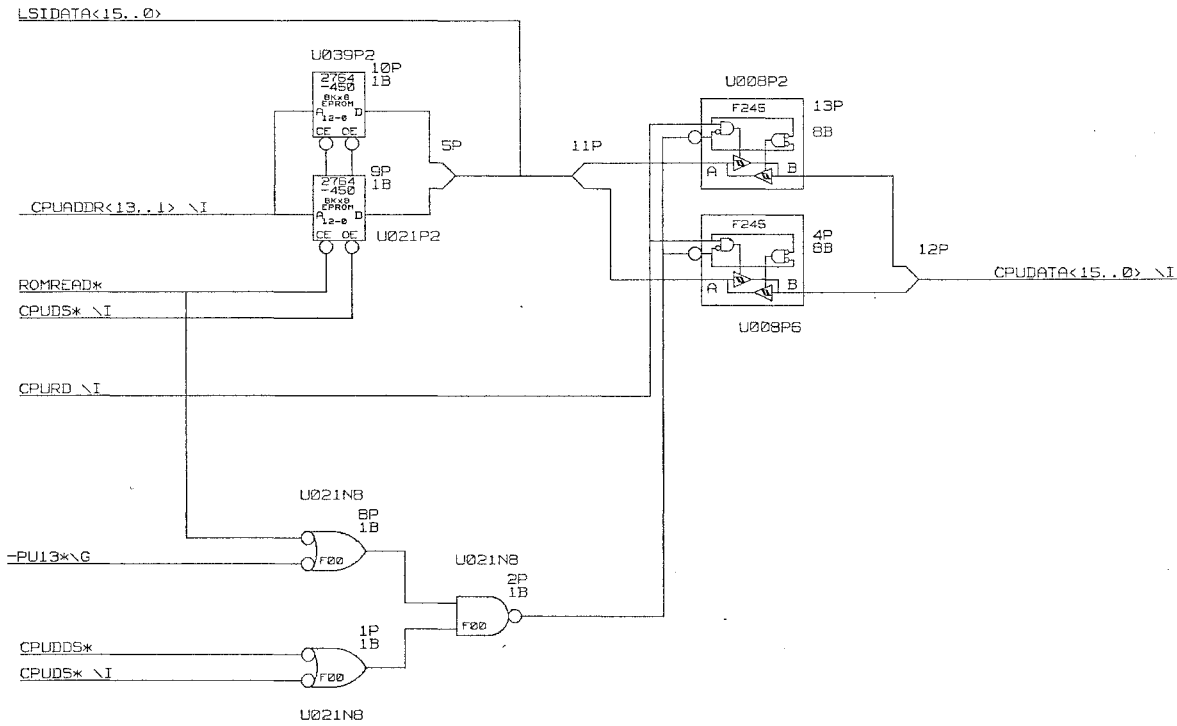
THIS DOCUMENT CONTAINS INFORMATION PROPRIETARY TO CONVEX COMPUTER CORPORATION (CONVEX). USE OR DISCLOSURE WITHOUT THE WRITTEN PERMISSION OF AN OFFICER OF CONVEX IS EXPRESSLY FORBIDDEN. COPYRIGHT (C) CONVEX 1984



TITLE: CPURAM
 DRAWING: 410-000121-300 C01

ABBR: CPURAM
 ENGR: NOBLES

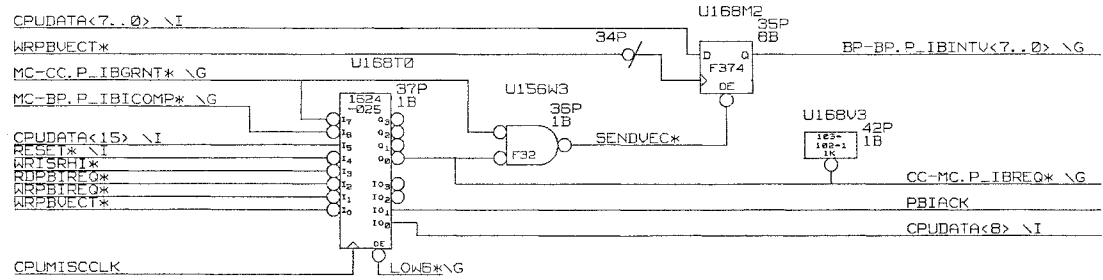
REVISED: Tue Oct 30 10:34:12 1984 PAGE: IOP.2 CPU.6 CPURAM.1



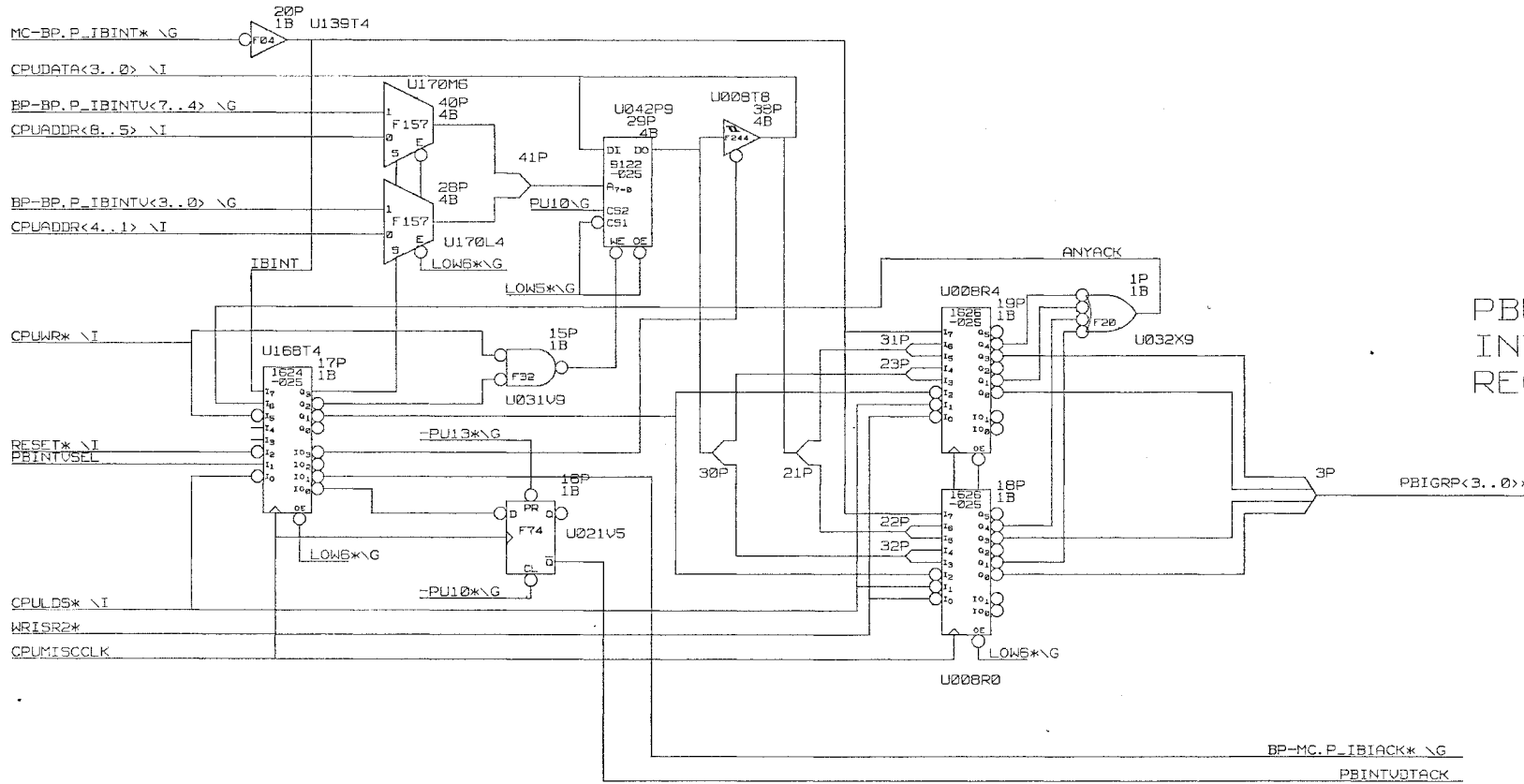
THIS DOCUMENT CONTAINS INFORMATION PROPRIETARY TO CONVEX COMPUTER CORPORATION (CONVEX). USE OR DISCLOSURE WITHOUT THE WRITTEN PERMISSION OF AN OFFICER OF CONVEX IS EXPRESSLY FORBIDDEN. COPYRIGHT (C) CONVEX 1984



TITLE: CPU (ROMS & LSI DATA BUFFER)	ABBR: CPU
DRAWING: 410-000121-300 C01	ENGR: NOBLES
REVISED: Thu Oct 25 15:45:30 1984	PAGE: IOP. 2 CPU. 7



PBUS
INTERRUPT
TRANSMITTER



PBUS
INTERRUPT
RECEIVER

THIS DOCUMENT CONTAINS INFORMATION PROPRIETARY TO CONVEX COMPUTER CORPORATION (CONVEX). USE OR DISCLOSURE WITHOUT THE WRITTEN PERMISSION OF AN OFFICER OF CONVEX IS EXPRESSLY FORBIDDEN. COPYRIGHT (C) CONVEX 1984



TITLE: CPU (PBUS INTERRUPTS)

DRAWING: 410-000121-300 C01

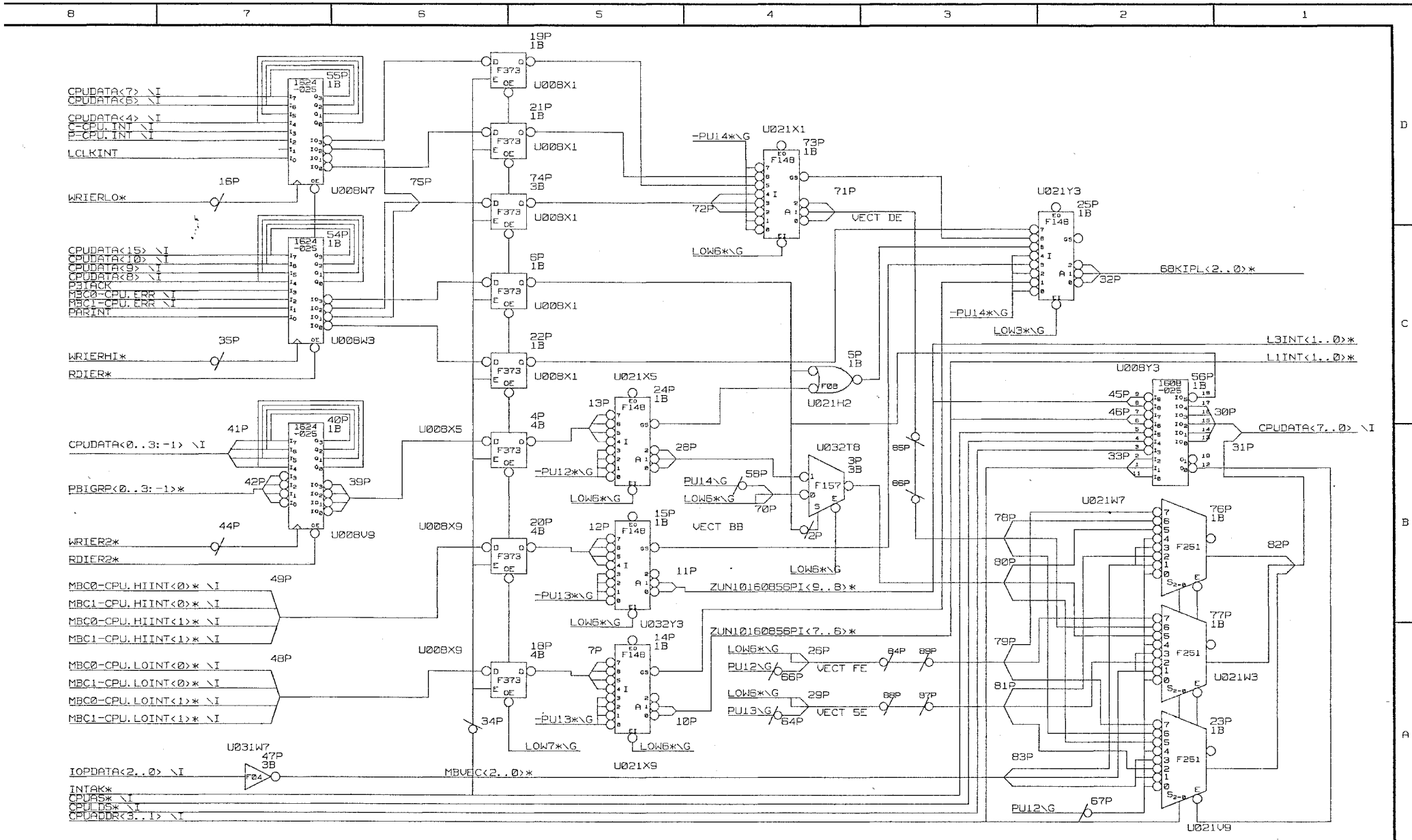
REVISED: Thu Oct 25 15:47:01 1984

PAGE:

ABBR: CPU

ENGR: NOBLES

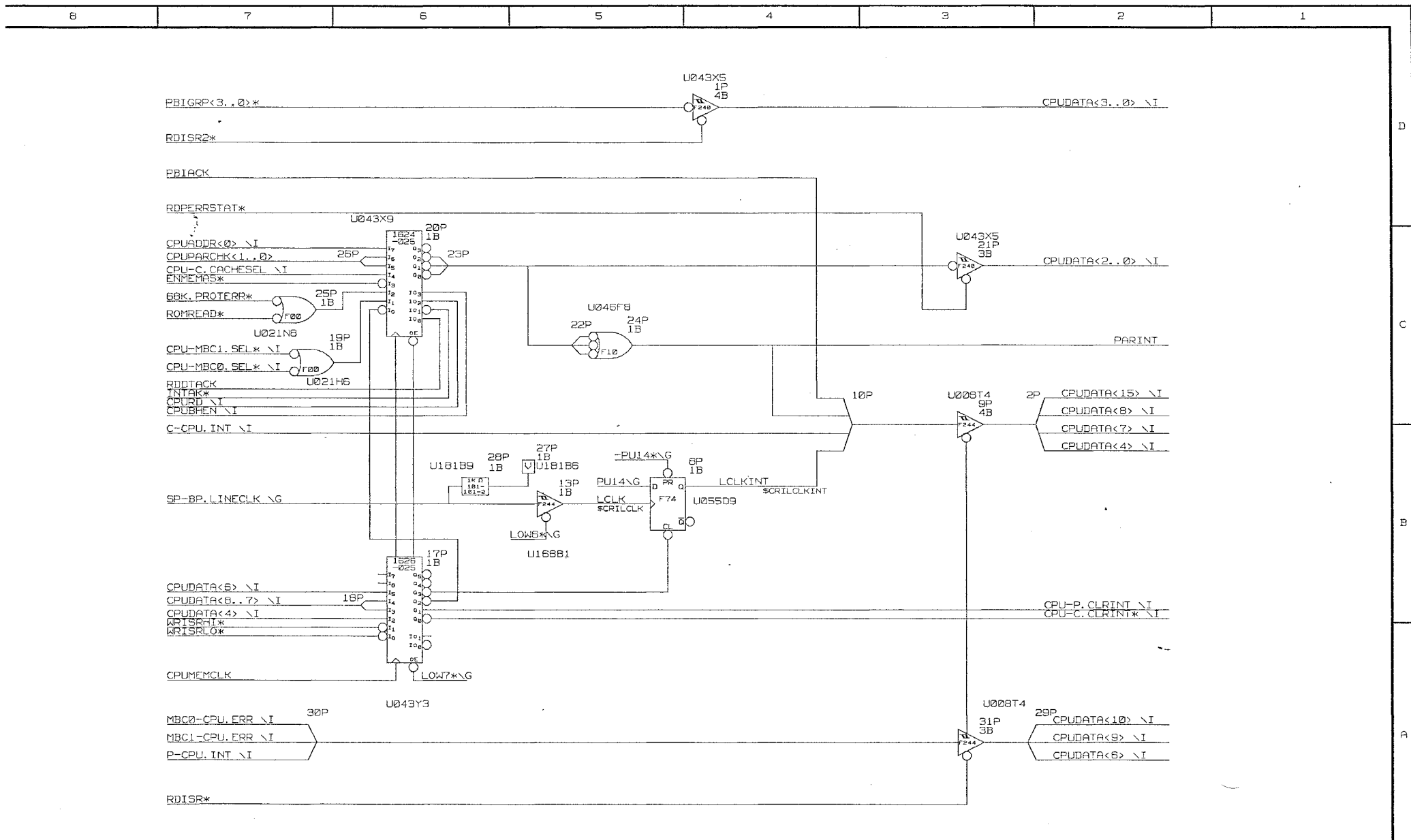
IOP.2 CPU.9



THIS DOCUMENT CONTAINS INFORMATION PROPRIETARY TO CONVEX COMPUTER CORPORATION (CONVEX). USE OR DISCLOSURE WITHOUT THE WRITTEN PERMISSION OF AN OFFICER OF CONVEX IS EXPRESSLY FORBIDDEN. COPYRIGHT (C) CONVEX 1984



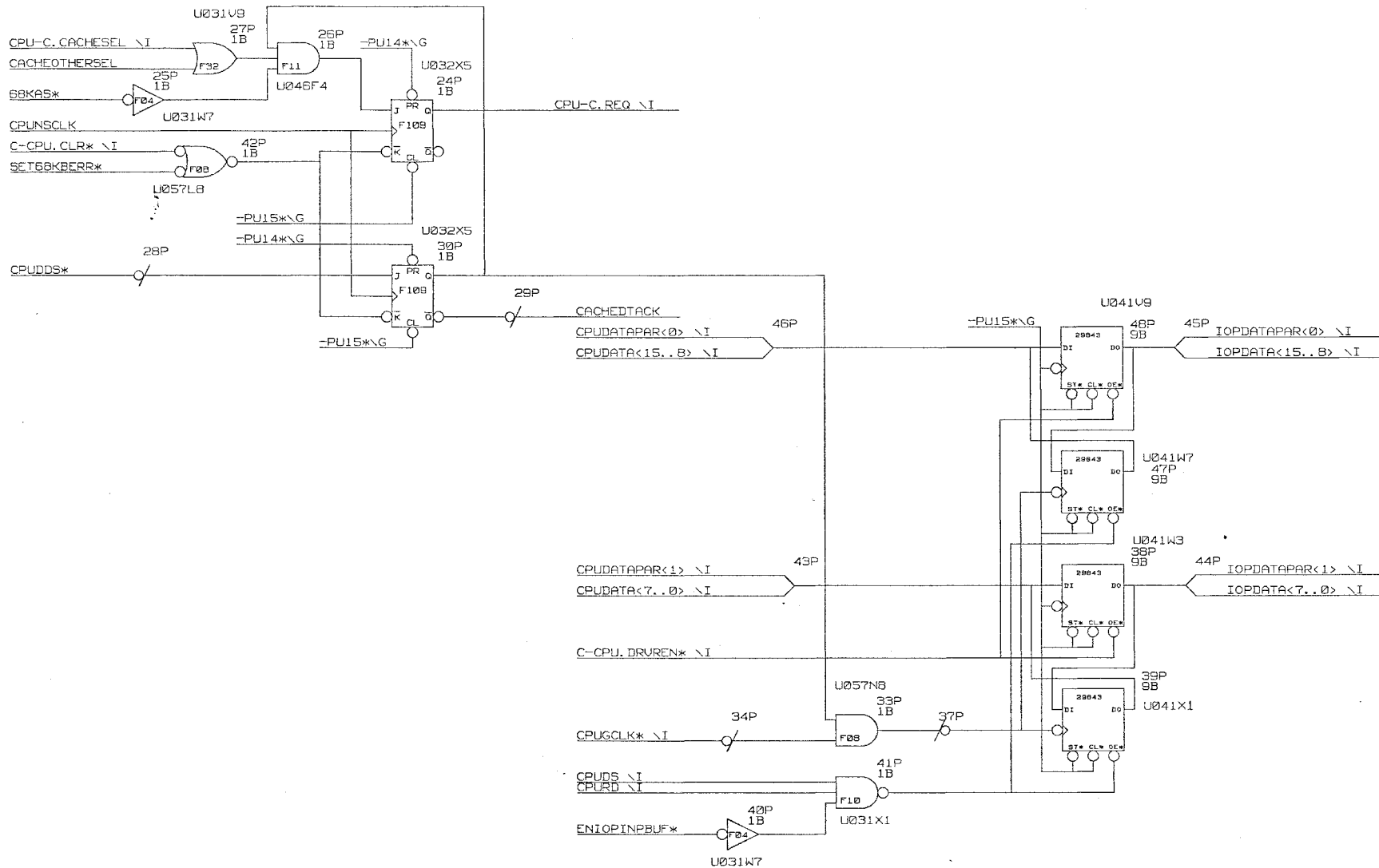
TITLE: CPU (INTERRUPT CONTROLLER)	ABBR: CPU
DRAWING: 410-000121-300 C01	ENGR: NOBLES
REVISED: Thu Oct 25 15:48:08 1984	PAGE: IOP.2 CPU.10



THIS DOCUMENT CONTAINS INFORMATION PROPRIETARY TO CONVEX COMPUTER CORPORATION (CONVEX). USE OR DISCLOSURE WITHOUT THE WRITTEN PERMISSION OF AN OFFICER OF CONVEX IS EXPRESSLY FORBIDDEN. COPYRIGHT (C) CONVEX 1984



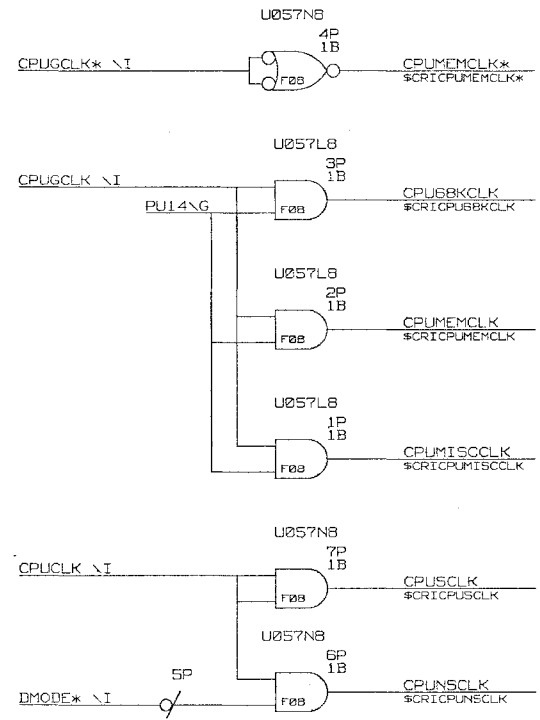
TITLE: CPU (INTERRUPT STATUS REG)	ABBR: CPU
DRAWING: 410-000121-300 C01	ENGR: NOBLES
REVISED: Thu Oct 25 15:49:12 1984	PAGE: IOP.2 CPU.11



THIS DOCUMENT CONTAINS INFORMATION PROPRIETARY TO CONVEX COMPUTER CORPORATION (CONVEX). USE OR DISCLOSURE WITHOUT THE WRITTEN PERMISSION OF AN OFFICER OF CONVEX IS EXPRESSLY FORBIDDEN. COPYRIGHT (C) CONVEX 1984



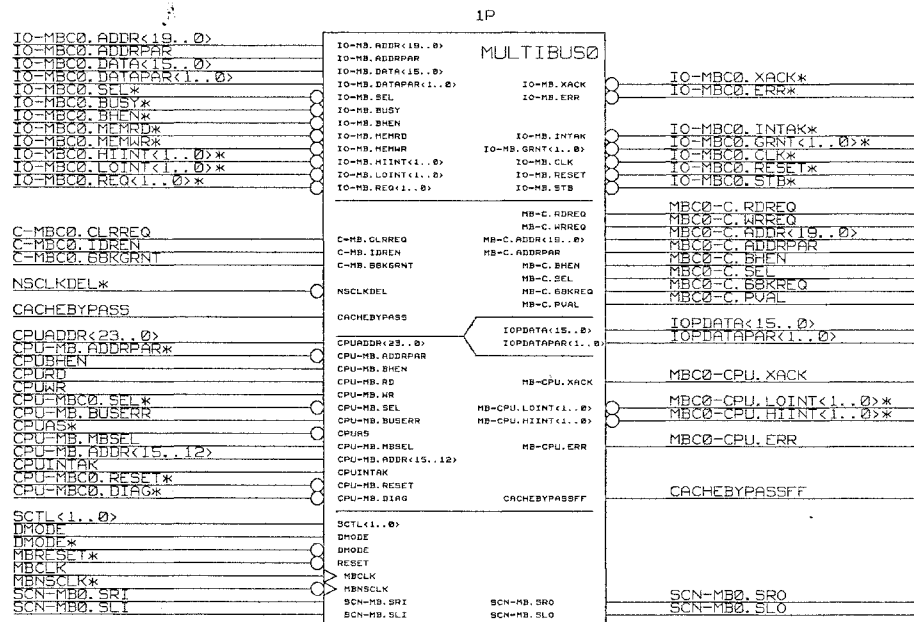
TITLE: CPU (CACHE INTERFACE)	ABBR: CPU
DRAWING: 410-000121-300 C01	ENGR: NOBLES
REVISED: Thu Oct 25 15:49:40 1984	PAGE: IOP.2 CPU.12



THIS DOCUMENT CONTAINS INFORMATION PROPRIETARY TO CONVEX COMPUTER CORPORATION (CONVEX). USE OR DISCLOSURE WITHOUT THE WRITTEN PERMISSION OF AN OFFICER OF CONVEX IS EXPRESSLY FORBIDDEN. COPYRIGHT (C) CONVEX 1984



TITLE: CPU (CLOCKS AND PULLUPS)		ABBR: CPU
DRAWING: 410-000121-300 C01		ENGR: NOBLES
REVISED: Thu Oct 25 15:50:13 1984	PAGE:	IOP. 2 CPU. 13

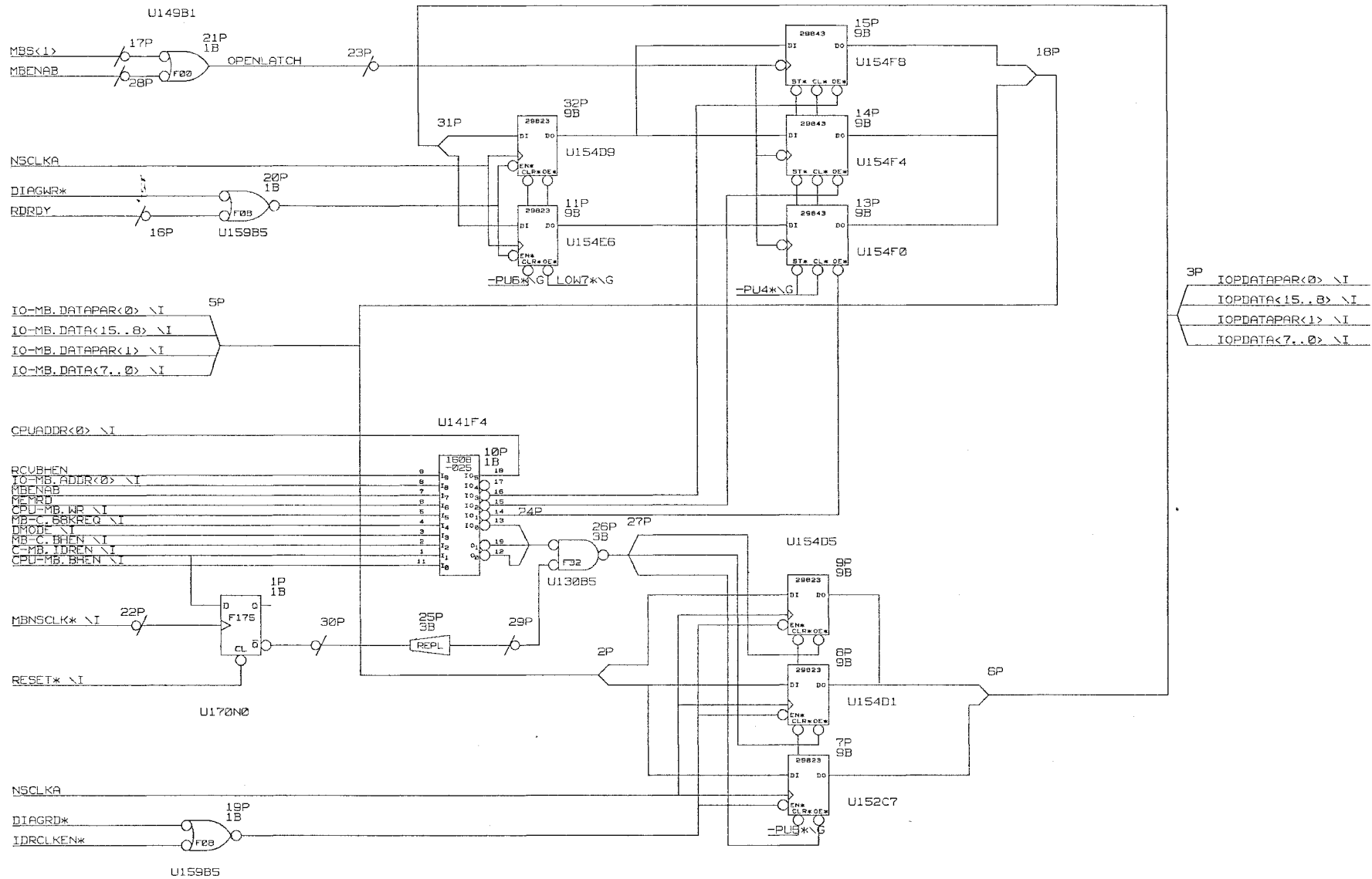


D
C
B
A

THIS DOCUMENT CONTAINS INFORMATION PROPRIETARY TO CONVEX COMPUTER CORPORATION (CONVEX). USE OR DISCLOSURE WITHOUT THE WRITTEN PERMISSION OF AN OFFICER OF CONVEX IS EXPRESSLY FORBIDDEN. COPYRIGHT (C) CONVEX 1984



TITLE: IOP (MBC0)	ABBR: IOP
DRAWING: 410-000121-300 C01	ENGR: LOCKHART
REVISED: Thu Oct 25 15:32:44 1984	PAGE: IOP.3



DEFINE
FIRST
*TOP*116

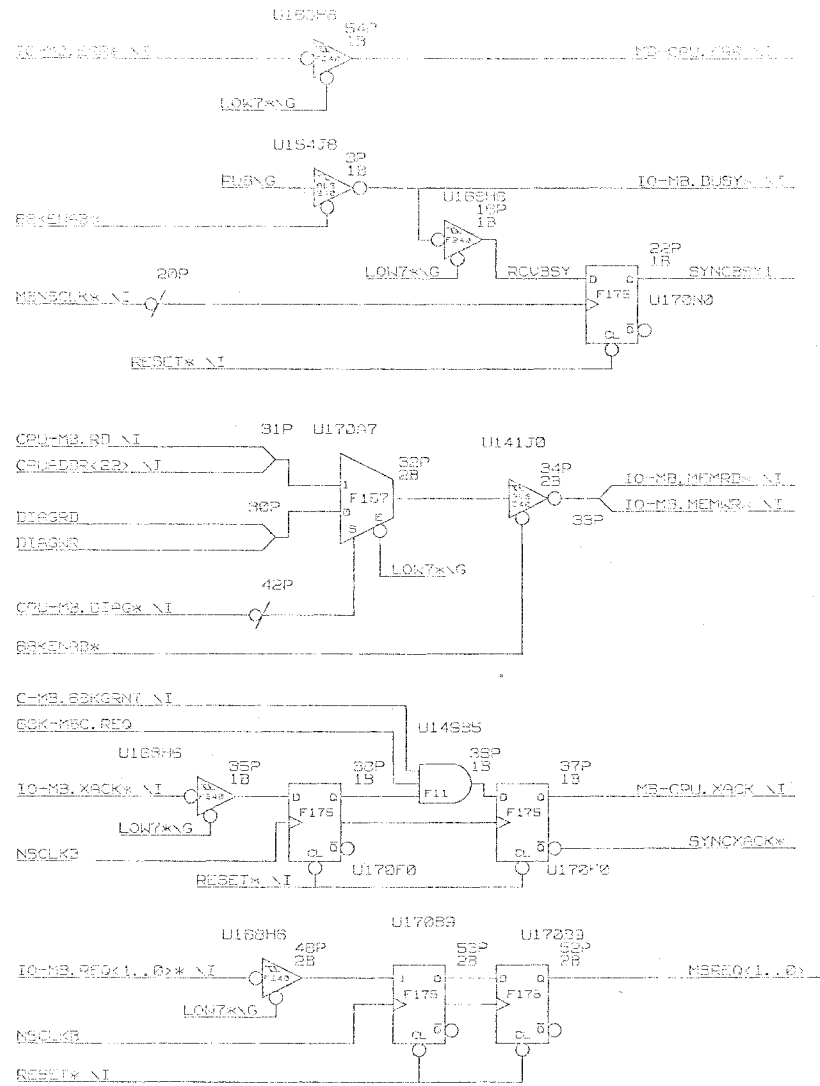
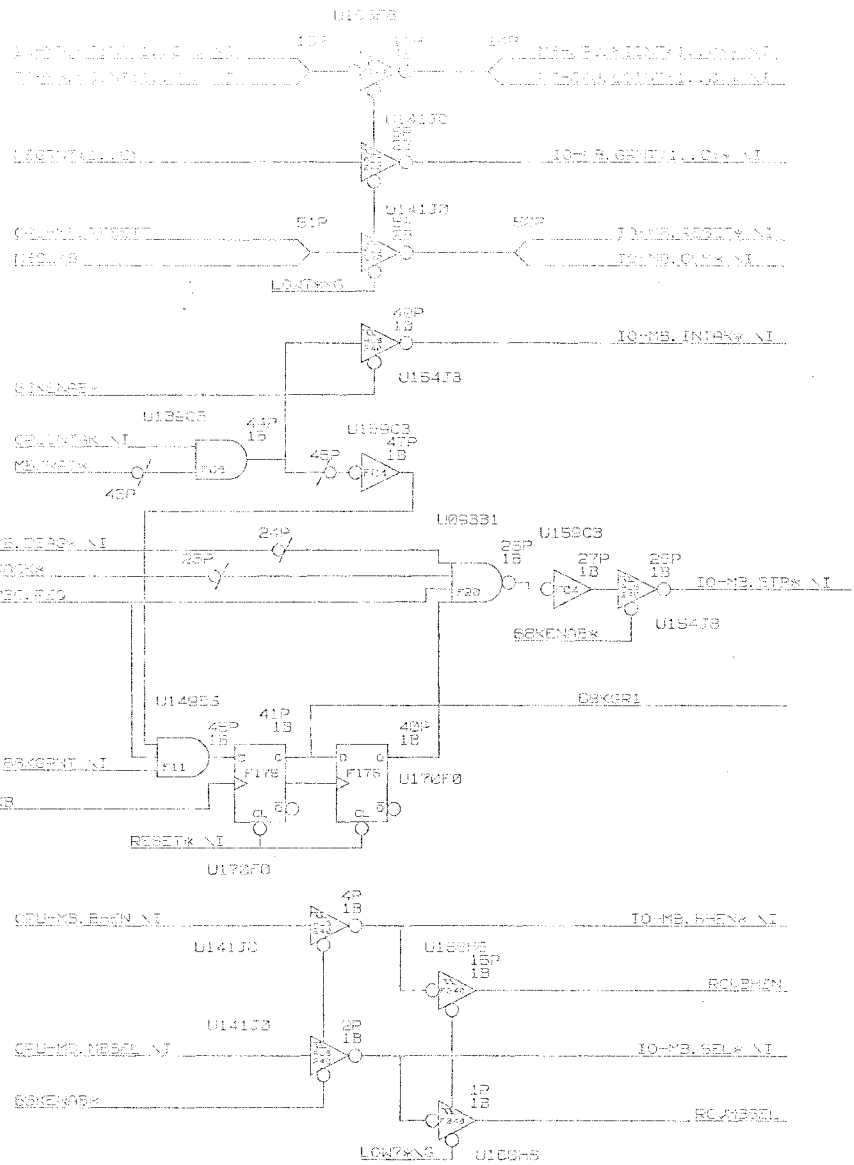
THIS DOCUMENT CONTAINS INFORMATION PROPRIETARY TO CONVEX COMPUTER CORPORATION (CONVEX). USE OR DISCLOSURE WITHOUT THE WRITTEN PERMISSION OF AN OFFICER OF CONVEX IS EXPRESSLY FORBIDDEN. COPYRIGHT (C) CONVEX 1984



TITLE: MULTIBUS0 (DATA)
DRAWING: 410-000121-300 C01

ABBR: MB0
ENGR: NOBLE'S

REVISED: Mon Nov 5 11:13:20 1984 PAGE: IOP.3 MB0.1



THIS DOCUMENT CONTAINS INFORMATION PROPRIETARY TO CONVEX COMPUTER CORPORATION (CONVEX). USE OR DISCLOSURE WITHOUT THE WRITTEN PERMISSION OF AN OFFICER OF CONVEX IS EXPRESSLY FORBIDDEN. COPYRIGHT © CONVEX 1984



CONVEX

TITLE: MULTIBUS (MISC CONTROL)

DRAWING: 410-200121-303 C01

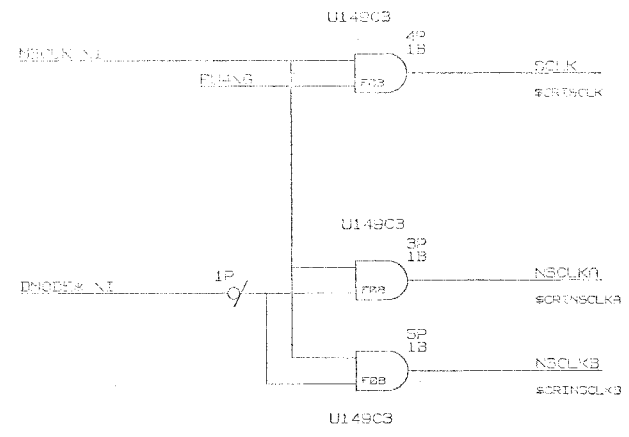
REVISED: Fri Oct 26 09:12:58 1984

PAGE:

ADDR: M80

ENGR: NOBLES

TOP. 3 PAGES

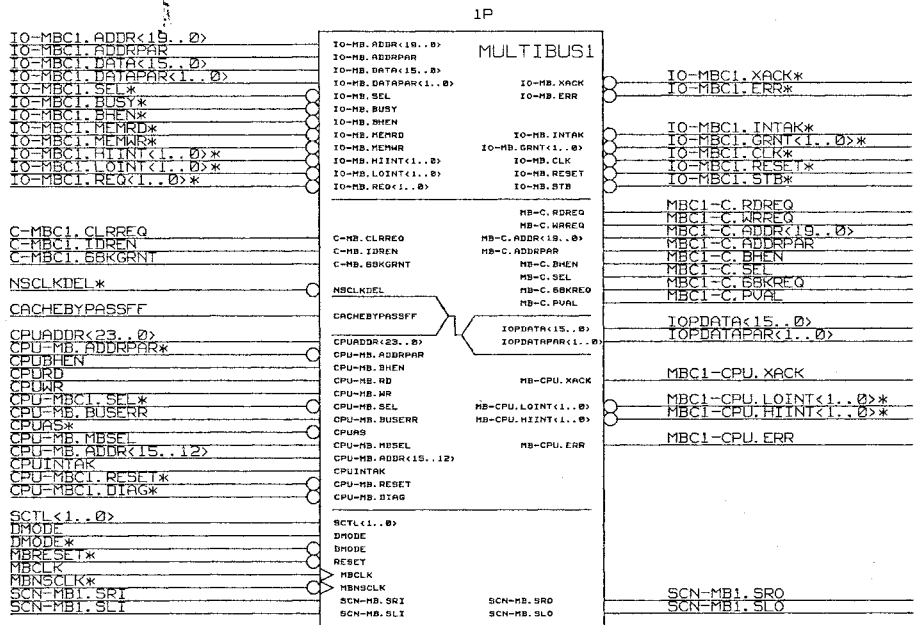


THIS DOCUMENT CONTAINS INFORMATION PROPRIETARY TO CONVEX COMPUTER CORPORATION (CONVEX). USE OR DISCLOSURE WITHOUT THE WRITTEN PERMISSION OF AN OFFICER OF CONVEX IS EXPRESSLY FORBIDDEN. COPYRIGHT (C) CONVEX 1984



CONVEX

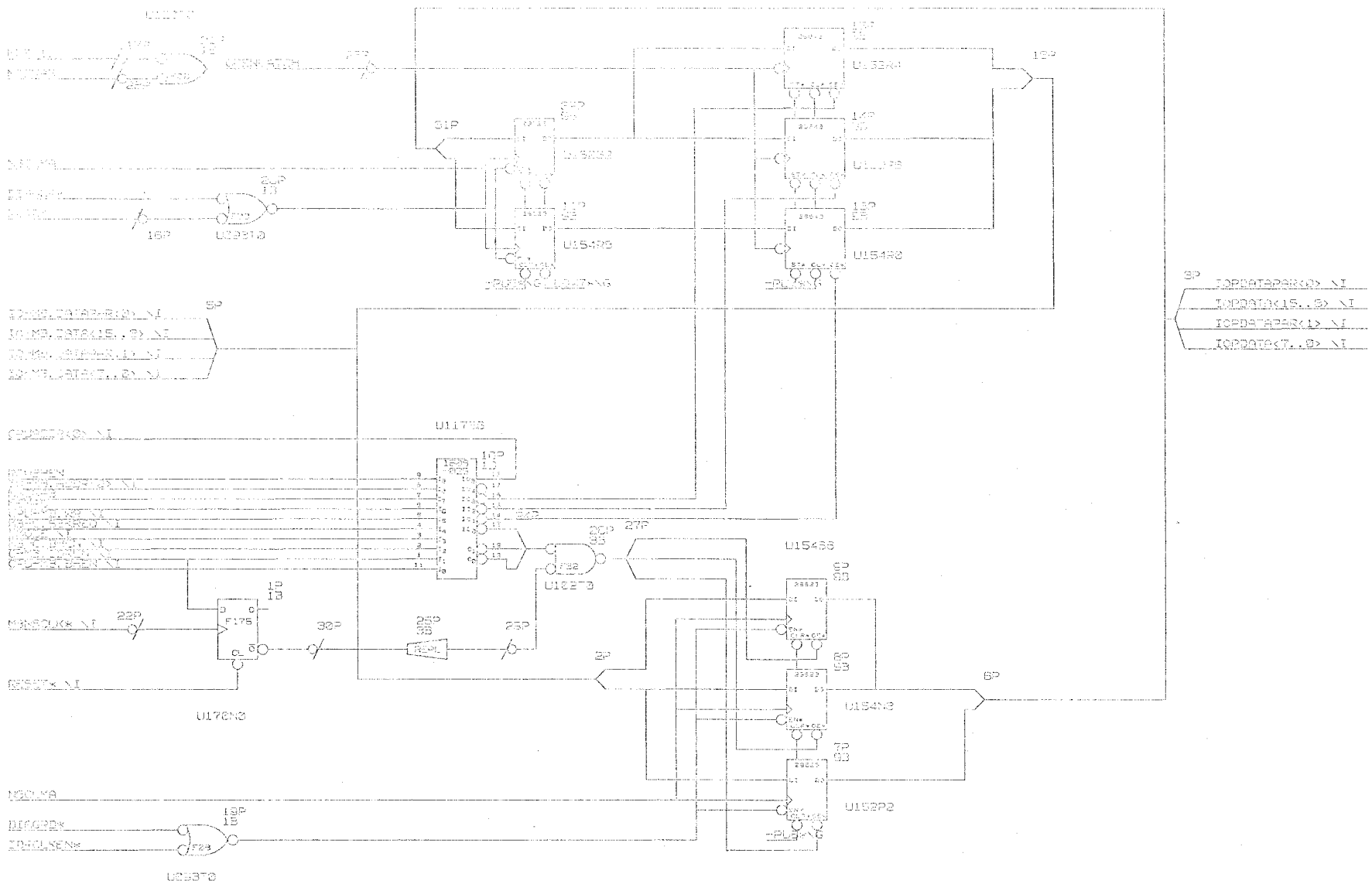
TITLE: MULTIBUS0	ADDR: MB0
DRAWING: 410-000121-000 021	ENGR: NOBLE5
REVISED: Mon Nov 15 11:15:16 1984	PAGE: IOP.3 MB0.3
3	2
	1



THIS DOCUMENT CONTAINS INFORMATION PROPRIETARY TO CONVEX COMPUTER CORPORATION (CONVEX). USE OR DISCLOSURE WITHOUT THE WRITTEN PERMISSION OF AN OFFICER OF CONVEX IS EXPRESSLY FORBIDDEN. COPYRIGHT (C) CONVEX 1984



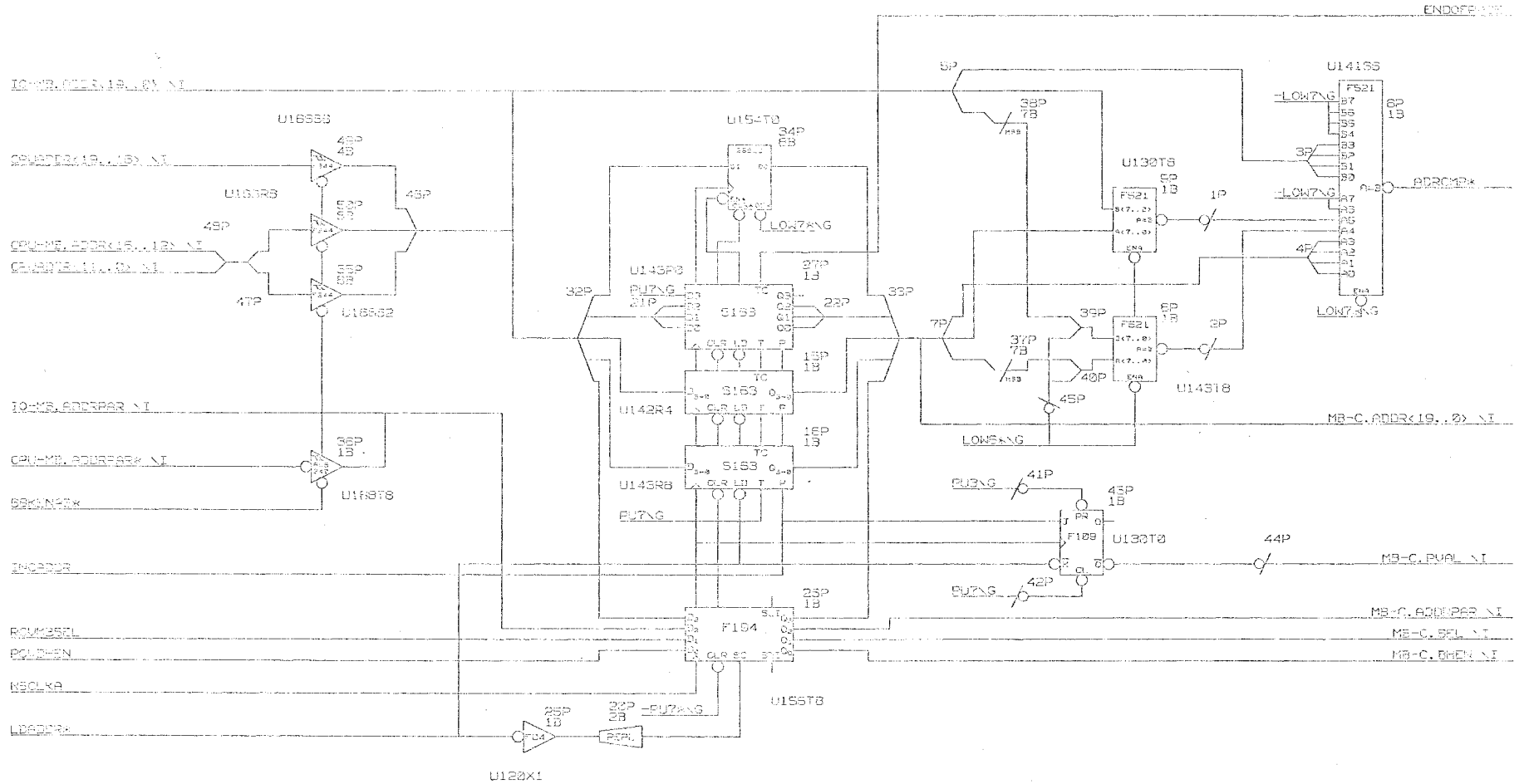
TITLE: IOP	(MBC1)	ABBR: IOP
DRAWING: 410-000121-300 C01		ENGR: LOCKHART
REVISED: Thu Oct 25 15:33:09 1984	PAGE:	IOP.4



THIS DOCUMENT CONTAINS INFORMATION PROPRIETARY TO CONVEX COMPUTER CORPORATION (CONVEX). USE OR DISCLOSURE WITHOUT THE WRITTEN PERMISSION OF AN OFFICER OF CONVEX IS EXPRESSLY FORBIDDEN. COPYRIGHT (C) CONVEX 1984



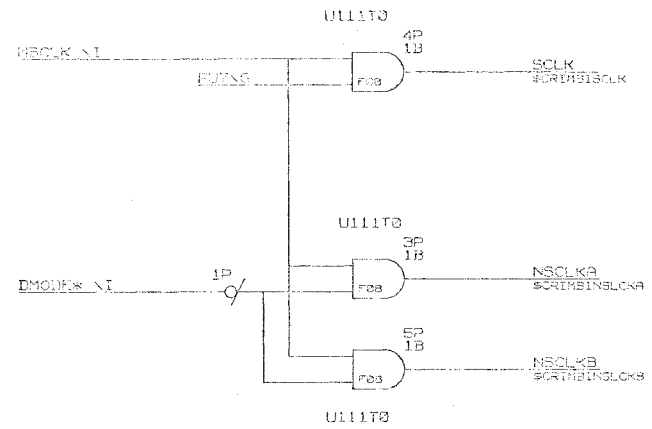
TITLE: MULTIBUS1 (DATA)		ABBR: MBI
DRAWING: 410-002121-500 C01		ENGR: NOBLE5
REVISED: Fri Oct 25 09:14:52 1984	PAGE:	IOP.4 MBI.1
3	2	1



THIS DOCUMENT CONTAINS INFORMATION PROPRIETARY TO CONVEX COMPUTER CORPORATION (CONVEX). USE OR DISCLOSURE WITHOUT THE WRITTEN PERMISSION OF AN OFFICER OF CONVEX IS EXPRESSLY FORBIDDEN. COPYRIGHT (C) CONVEX 1984



TITLE: MULTIBUS1 (ADDRESS)	ABBR: MBI
DRAWING: 410-000121-000 C01	ENGR: NOBLETS
REVISED: Mon Nov 5 11:22:28 1984	PAGE: 10P.4 MBI.2



THIS DOCUMENT CONTAINS INFORMATION PROPRIETARY TO CONVEX COMPUTER CORPORATION (CONVEX). USE OR DISCLOSURE WITHOUT THE WRITTEN PERMISSION OF AN OFFICER OF CONVEX IS EXPRESSLY FORBIDDEN. COPYRIGHT (C) CONVEX 1984



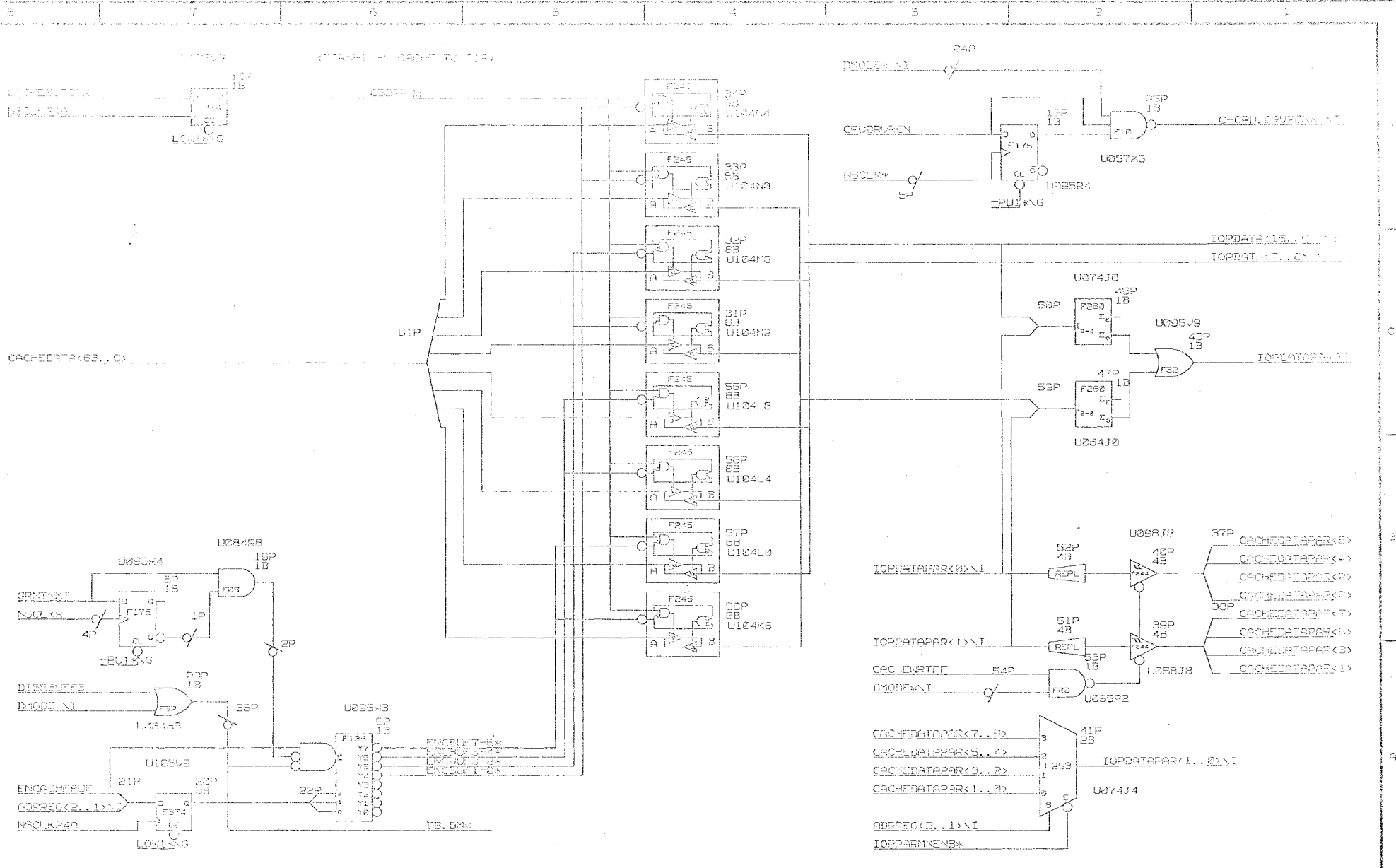
CONVEX

TITLE: MULTIBUS1
DRAWING: 410-220121-300 001

ABBR: M31
ENGR: NOBLES

REVISED: Fri Oct 25 09:18:14 1984

PAGE: 10P.4 REV. 6

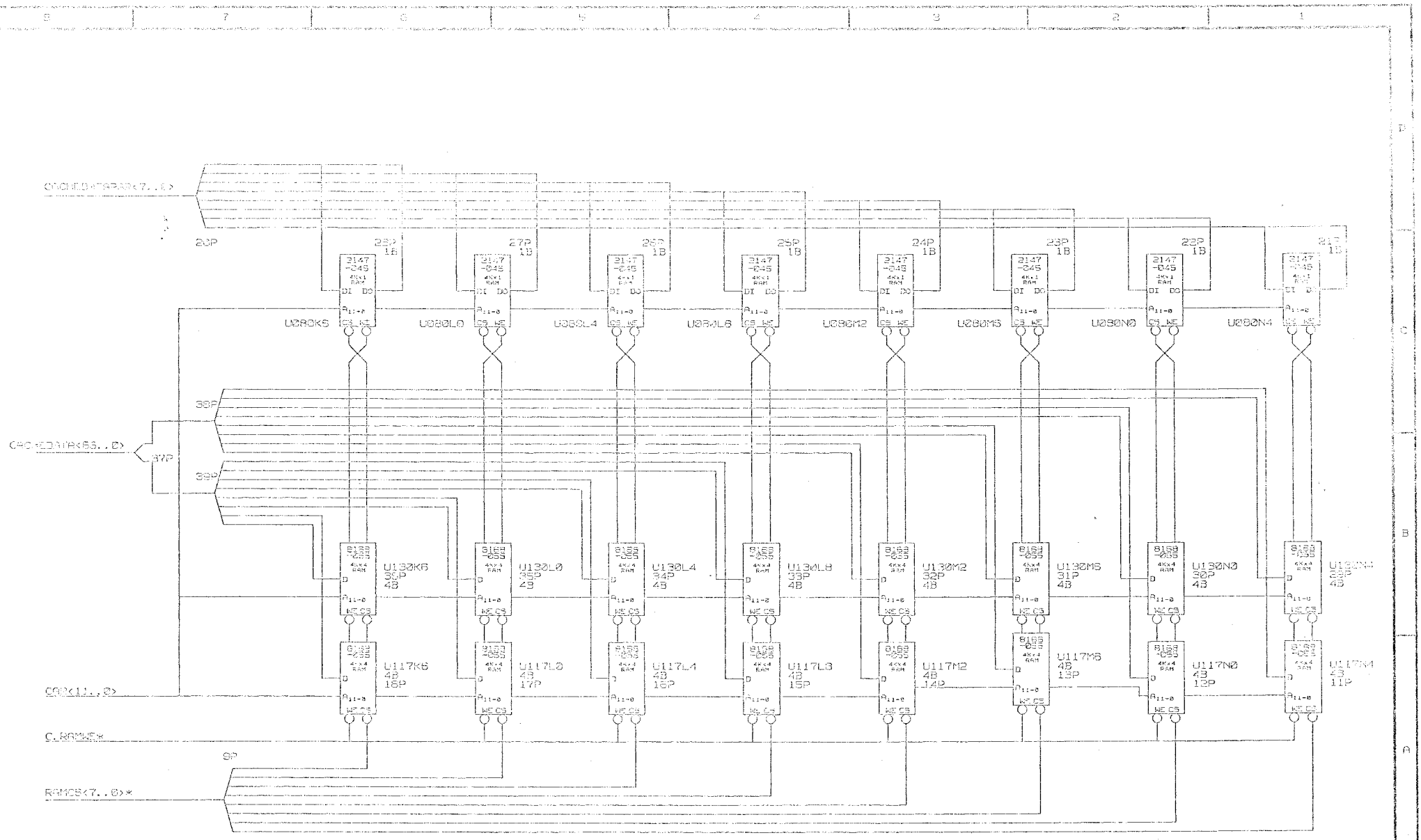


THIS DOCUMENT CONTAINS INFORMATION PROPRIETARY TO CONVEX COMPUTER CORPORATION (CONVEX). USE OR DISCLOSURE WITHOUT THE WRITTEN PERMISSION OF AN OFFICER OF CONVEX IS EXPRESSLY FORBIDDEN. COPYRIGHT (C) CONVEX 1984.



CONVEX

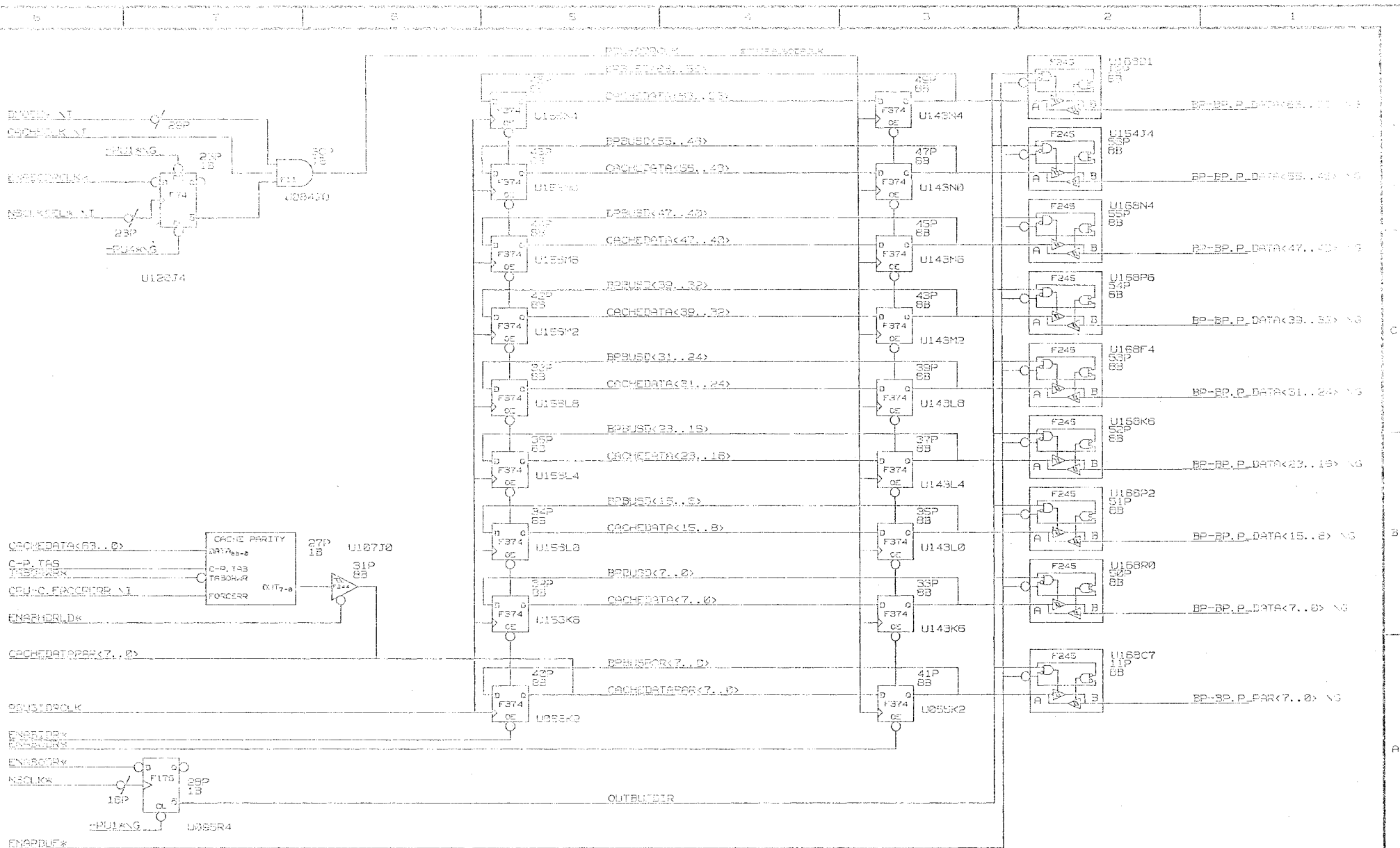
TITLE: CACHE		ASBR: CACHE
DRAWING: 410-000121-000 C01		ENGR: NOBLES
REVISED: Fri Oct 26 29:21:07 1984	PAGE:	IOP.5 CACHE.2
3	2	1



THIS DOCUMENT CONTAINS INFORMATION PROPRIETARY TO CONVEX COMPUTER CORPORATION (CONVEX). USE OR DISCLOSURE WITHOUT THE WRITTEN PERMISSION OF AN OFFICER OF CONVEX IS EXPRESSLY FORBIDDEN. COPYRIGHT (C) CONVEX 1984



TITLE: CACHE	ABBR: CACHE
DRAWING: 410-000121-30P C01	ENGR: NOBLES
REVISED: Fri Oct 25 09:23:41 1984	PAGE: IOP.5 CACHE.4



THIS DOCUMENT CONTAINS INFORMATION PROPRIETARY TO CONVEX COMPUTER CORPORATION (CONVEX). USE OR DISCLOSURE WITHOUT THE WRITTEN PERMISSION OF AN OFFICER OF CONVEX IS EXPRESSLY FORBIDDEN. COPYRIGHT (C) CONVEX 1984



CONVEX

TITLE: CACHE (BPBUS DATA)

DRAWING: 410-00101-300 C01

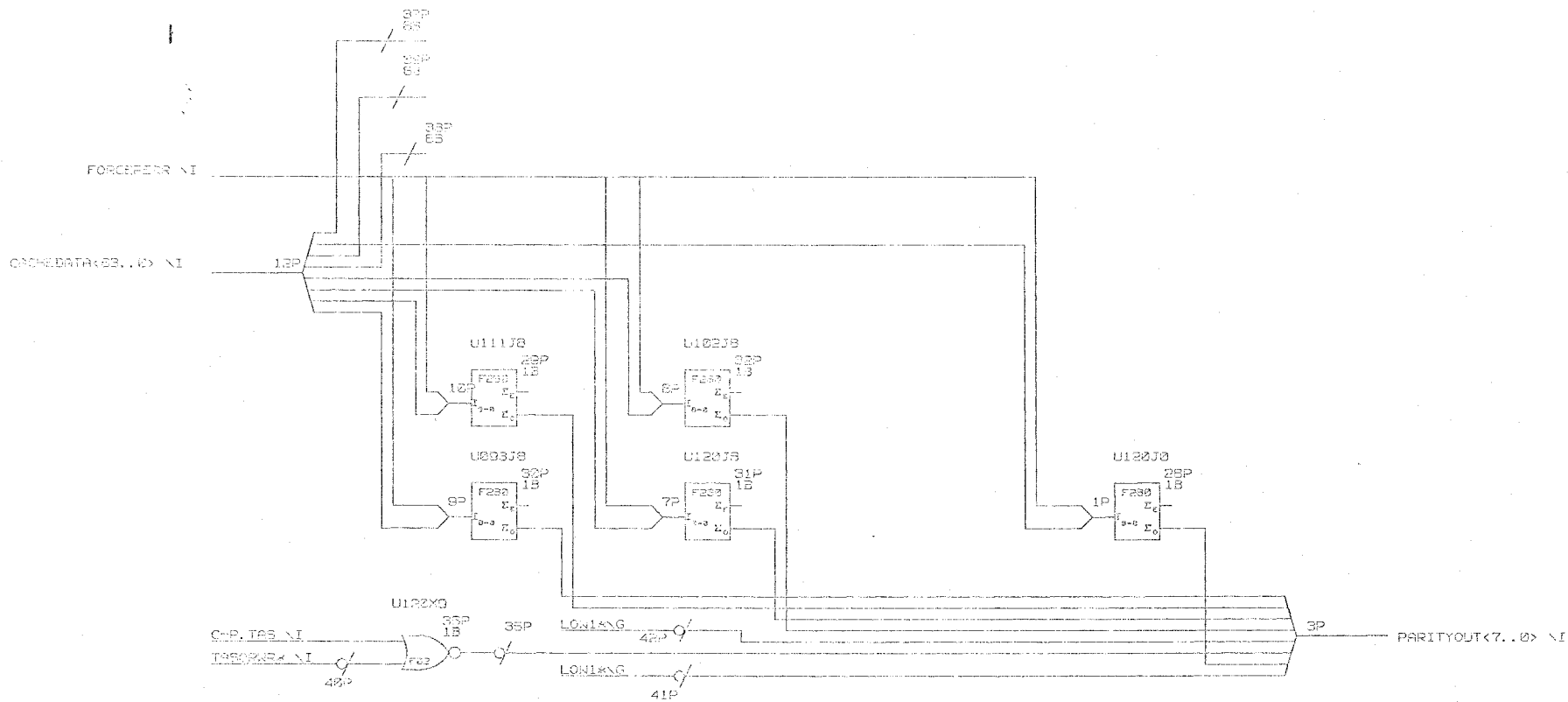
REVISED: Fri Oct 26 08:24:41 1984

PAGE:

ASBR: CACHE

ENGR: NOBLE'S

IOP.5 CACHE.5



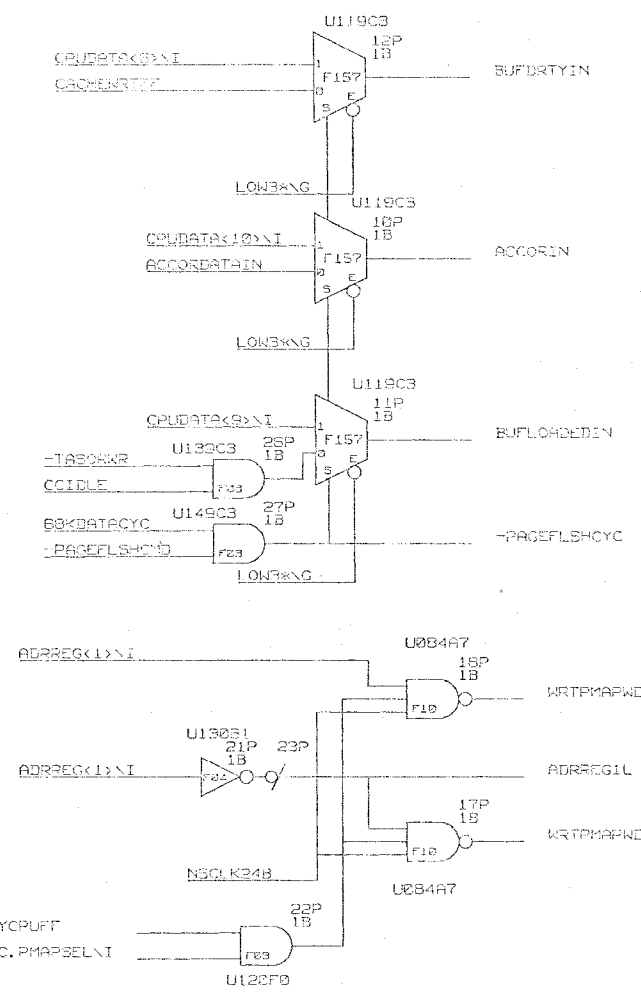
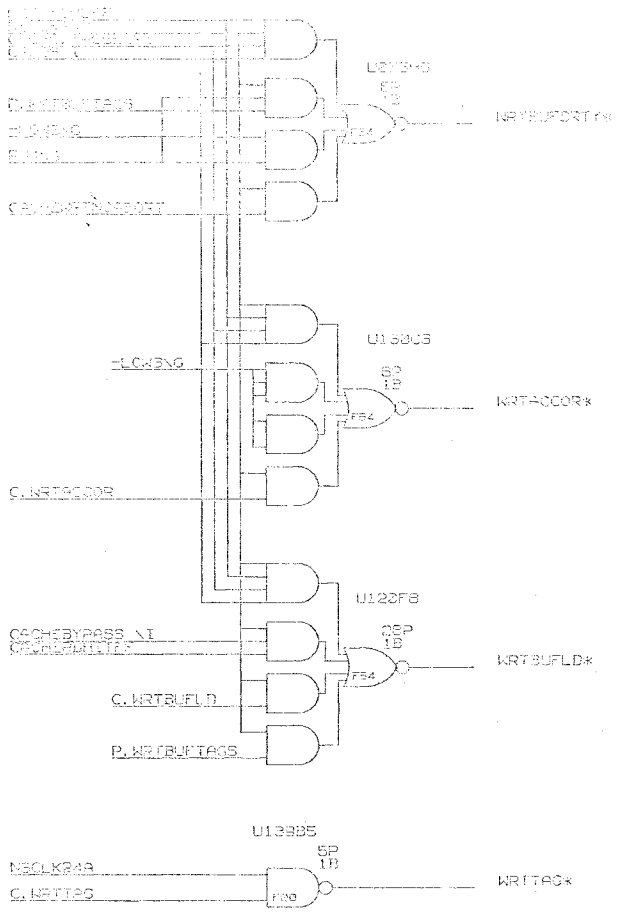
THIS DOCUMENT CONTAINS INFORMATION PROPRIETARY TO CONVEX COMPUTER CORPORATION (CONVEX). USE OR DISCLOSURE WITHOUT THE WRITTEN PERMISSION OF AN OFFICER OF CONVEX IS EXPRESSLY FORBIDDEN. COPYRIGHT (C) CONVEX 1984

NO DISSEMINATION
WITHOUT AUTHORITY



CONVEX

TITLE: CACHEPARITY	ASBR: CPAP
DRAWING: 410-000171-200 C01	ENGR: NOBLES
REVISED: Fri Oct 26 09:42:05 1984	PAGE: IOP.5 CACHE.5 CPAR.1

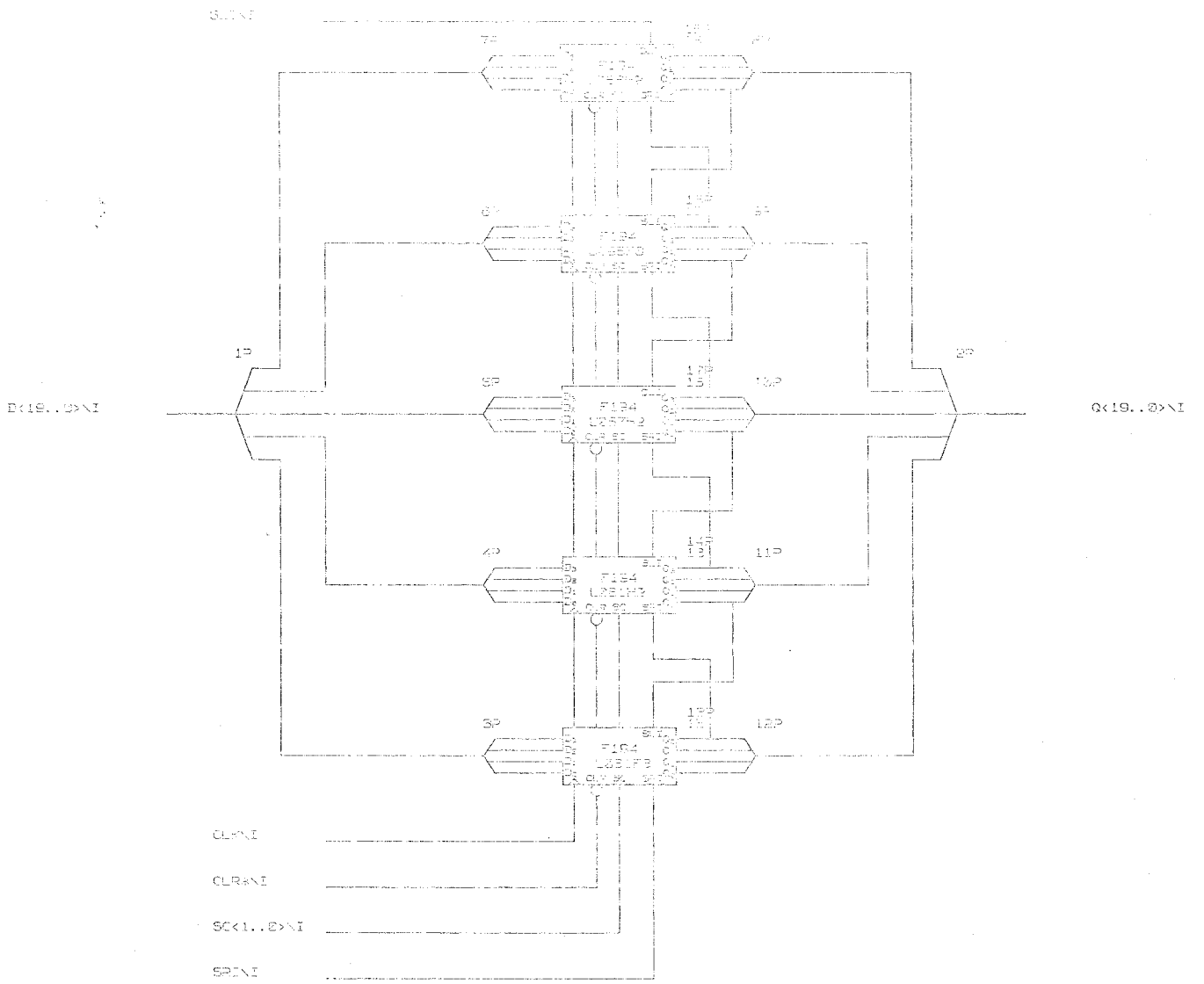


THIS DOCUMENT CONTAINS INFORMATION PROPRIETARY TO CONVEX COMPUTER CORPORATION (CONVEX). USE OR DISCLOSURE WITHOUT THE WRITTEN PERMISSION OF AN OFFICER OF CONVEX IS EXPRESSLY FORBIDDEN. COPYRIGHT (C) CONVEX 1984



CONVEX

TITLE: CACHE (RAM WRT ENABLS)		ABBR: CACHE
DRAWING: 410-000121-300 001		ENGR: NOBLES
REVISED: Fri Oct 25 09:28:43 1984	PAGE:	10P.5 CACHE.9

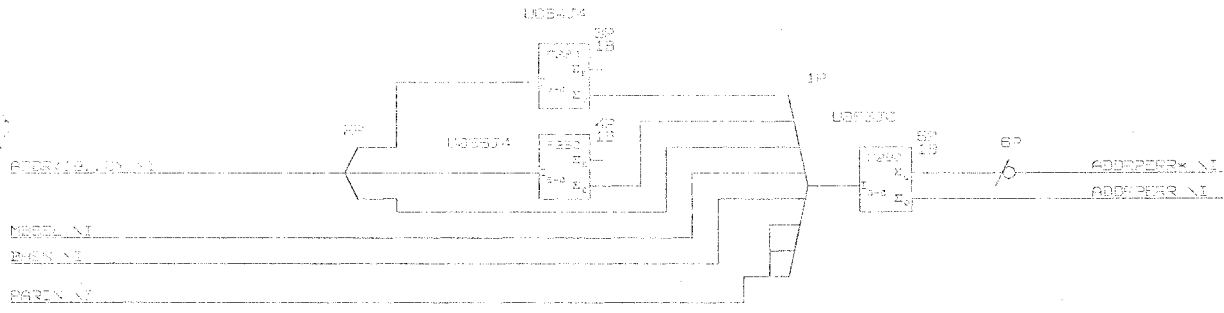


C
B
A

THIS DOCUMENT CONTAINS INFORMATION PROPRIETARY TO CONVEX COMPUTER CORPORATION (CONVEX). USE OR DISCLOSURE WITHOUT THE WRITTEN PERMISSION OF AN OFFICER OF CONVEX IS EXPRESSLY FORBIDDEN. COPYRIGHT (C) CONVEX 1984



TITLE: ADR REG	ADDR: ADDRREG
DRAWING: 410-000121-202 C01	ENGR: ENGINEER
REVISED: Fri Oct 25 22:41:13 1984	PAGE: TOP 5 CACHE, 10 ADDRREG.1



A
B
C

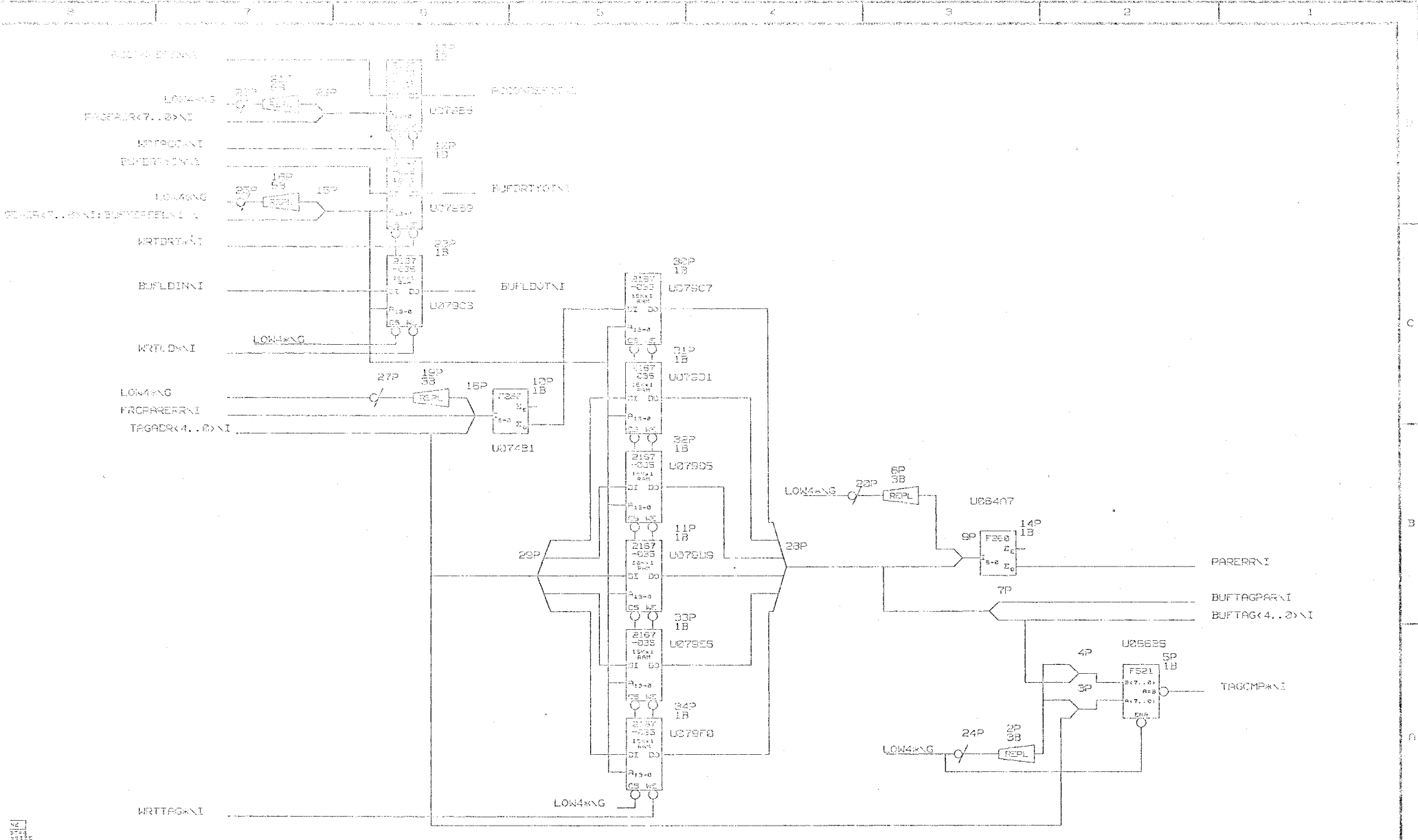
11/11/84

THIS DOCUMENT CONTAINS INFORMATION PROPRIETARY TO CONVEX COMPUTER CORPORATION (CONVEX). USE OR DISCLOSURE WITHOUT THE WRITTEN PERMISSION OF AN OFFICER OF CONVEX IS EXPRESSLY FORBIDDEN. COPYRIGHT (C) CONVEX 1984



CONVEX

TITLE: APARI	REVISION: 10P.5 CACHE.18 APARI.1
DRAWING: 412-002121-002 CO1	ENGR: LOCKHART
REVISED: Fri Oct 26 09:41:52 1984	

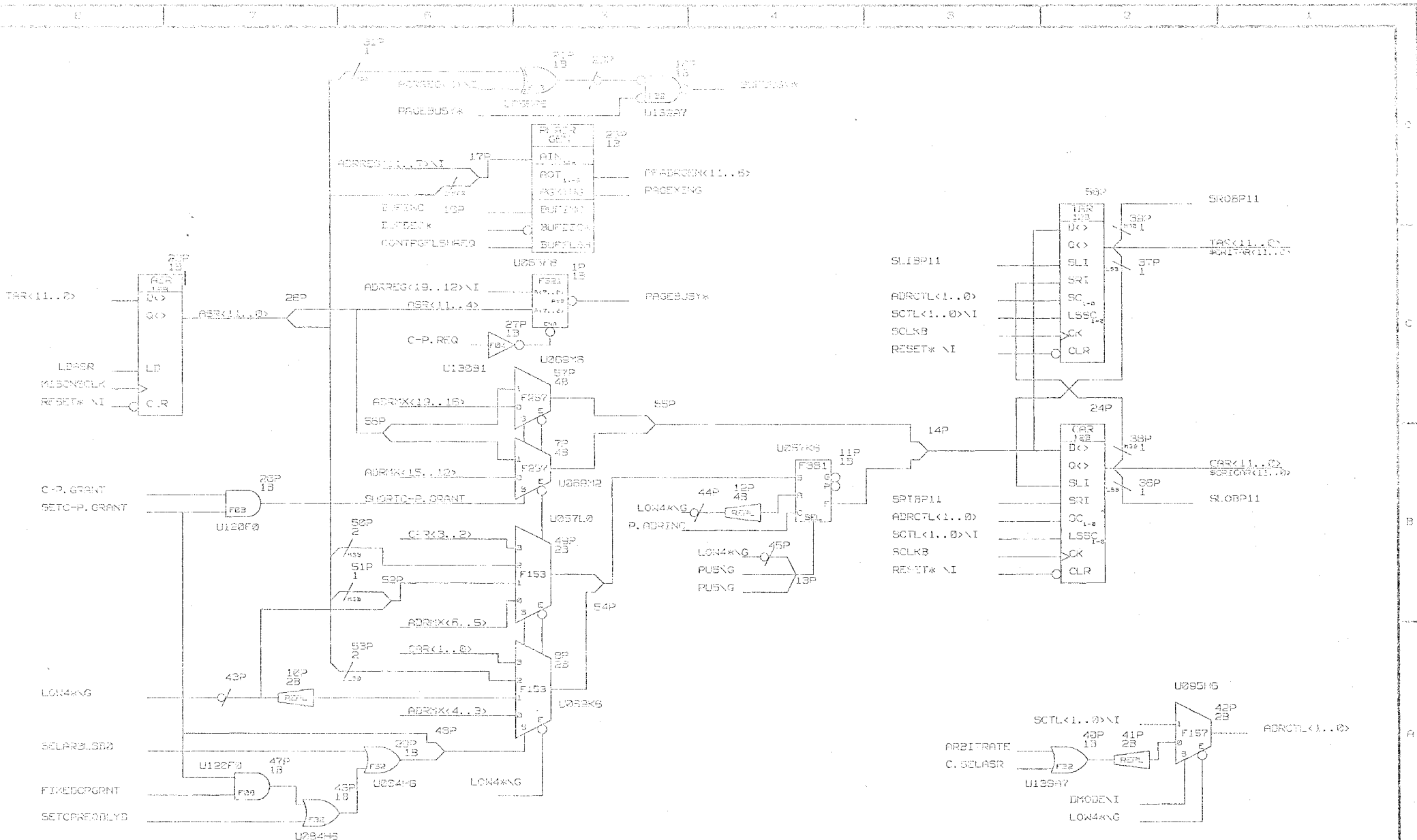


THIS DOCUMENT CONTAINS INFORMATION PROPRIETARY TO CONVEX COMPUTER CORPORATION (CONVEX). USE OR DISCLOSURE WITHOUT THE WRITTEN PERMISSION OF AN OFFICER OF CONVEX IS EXPRESSLY FORBIDDEN. COPYRIGHT (C) CONVEX 1984



CONVEX

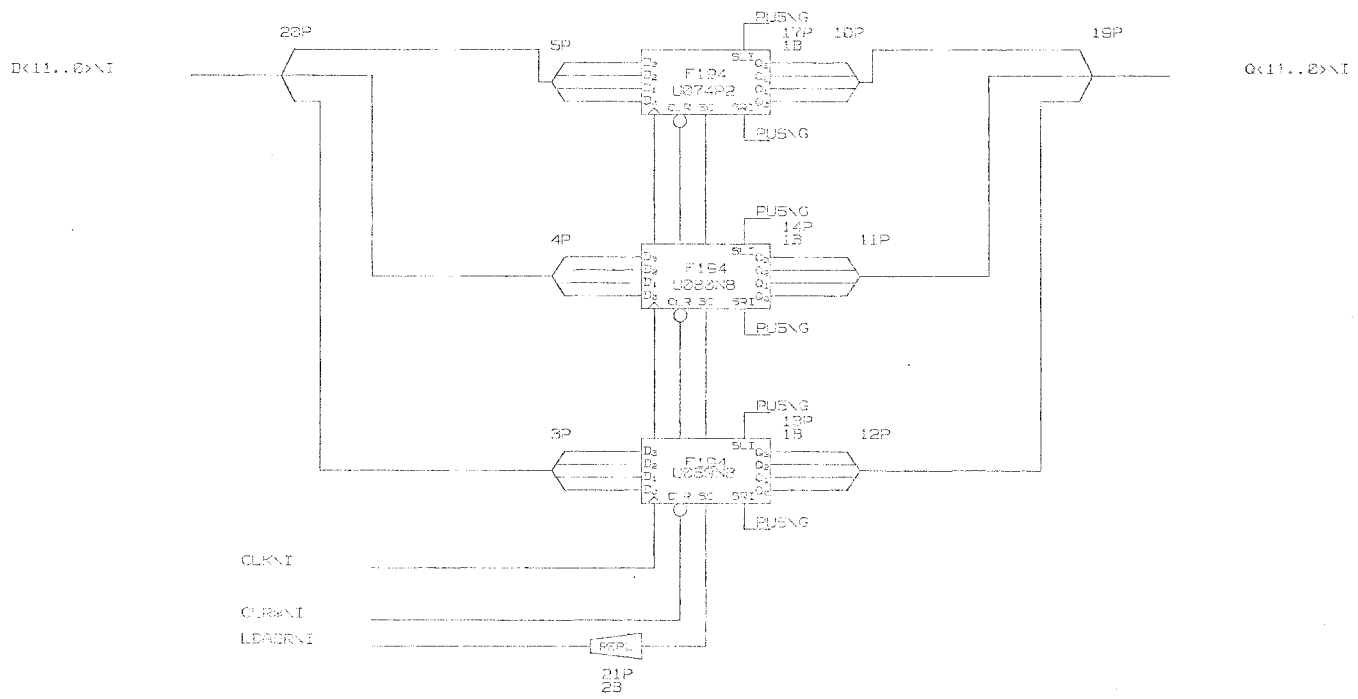
TITLE: BUFFER TAG	REBR: BFRS
DRAWING: 410-000121-500 C01	ENGR: ENGINEER
REVISED: Fri Oct 25 09:43:24 1984	PAGE: 10P.5 CACHE.10 BFRS.1



THIS DOCUMENT CONTAINS INFORMATION PROPRIETARY TO CONVEX COMPUTER CORPORATION (CONVEX). USE OR DISCLOSURE WITHOUT THE WRITTEN PERMISSION OF AN OFFICER OF CONVEX IS EXPRESSLY FORBIDDEN. COPYRIGHT (C) CONVEX 1984



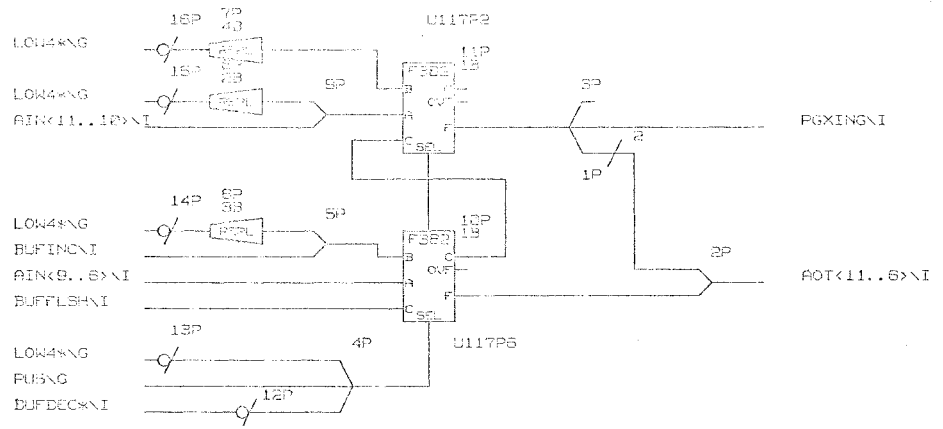
TITLE: CACHE	ABBR: CACHE
DRAWING: 410-000121-000 C01	ENGR: ENGINEER
REVISED: Fri Oct 26 09:31:14 1984	PAGE: TOP.5 CACHE.11
3	2
	1



THIS DOCUMENT CONTAINS INFORMATION PROPRIETARY TO CONVEX COMPUTER CORPORATION (CONVEX). USE OR DISCLOSURE WITHOUT THE WRITTEN PERMISSION OF AN OFFICER OF CONVEX IS EXPRESSLY FORBIDDEN. COPYRIGHT (C) CONVEX 1984



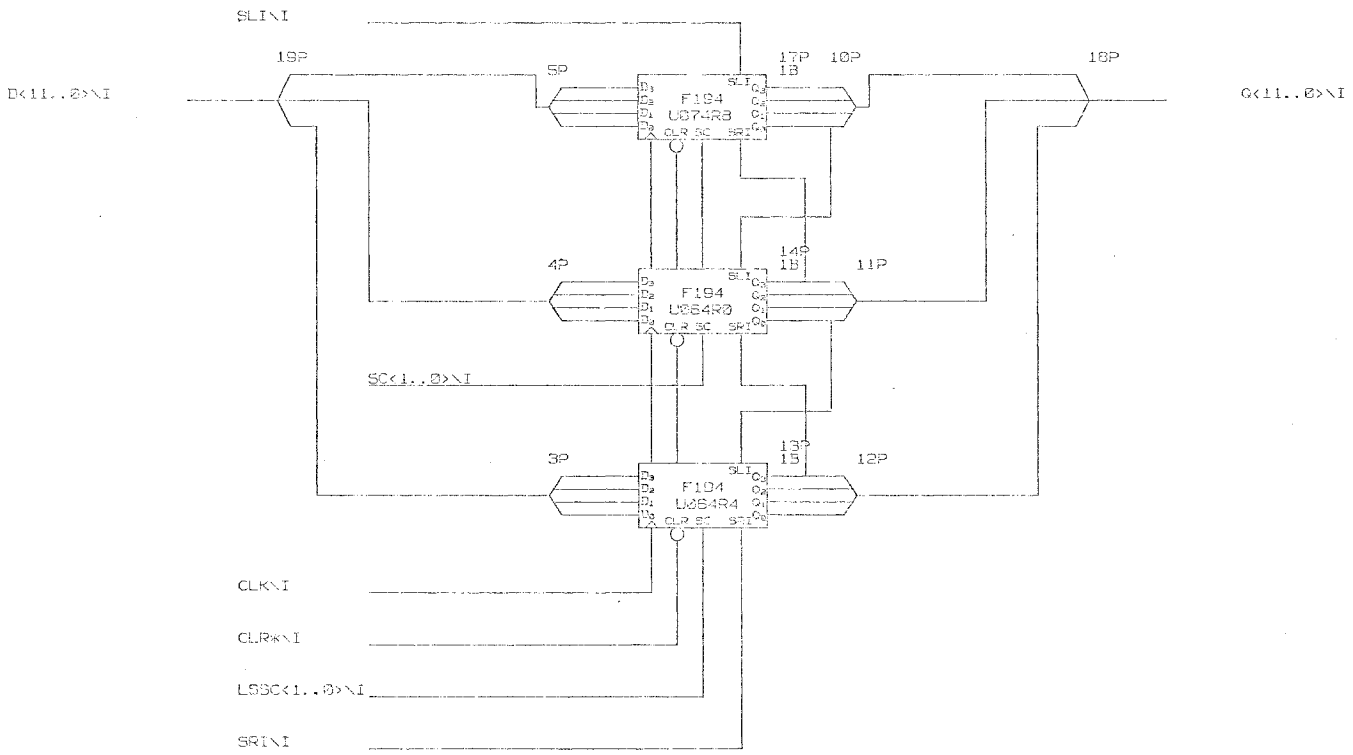
TITLE: ASR	ADDR: ASR
DRAWING: 410-020121-300 C01	ENGR: ENGINEER
REVISED: Fri Oct 26 09:43:55 1984	PAGE: IOP.5 CACHE.11 ASR.1
3	2
	1



THIS DOCUMENT CONTAINS INFORMATION PROPRIETARY TO CONVEX COMPUTER CORPORATION (CONVEX). USE OR DISCLOSURE WITHOUT THE WRITTEN PERMISSION OF AN OFFICER OF CONVEX IS EXPRESSLY FORBIDDEN. COPYRIGHT (C) CONVEX 1984



TITLE: PFADGEN	ABSR: PFRG
DRAWING: 410-000121-300 C01	ENGR: GOLEMBILSKI
REVISED: Fri Oct 26 09:44:20 1984	PAGE: TOP.5 CACHE.11 PFRG.1

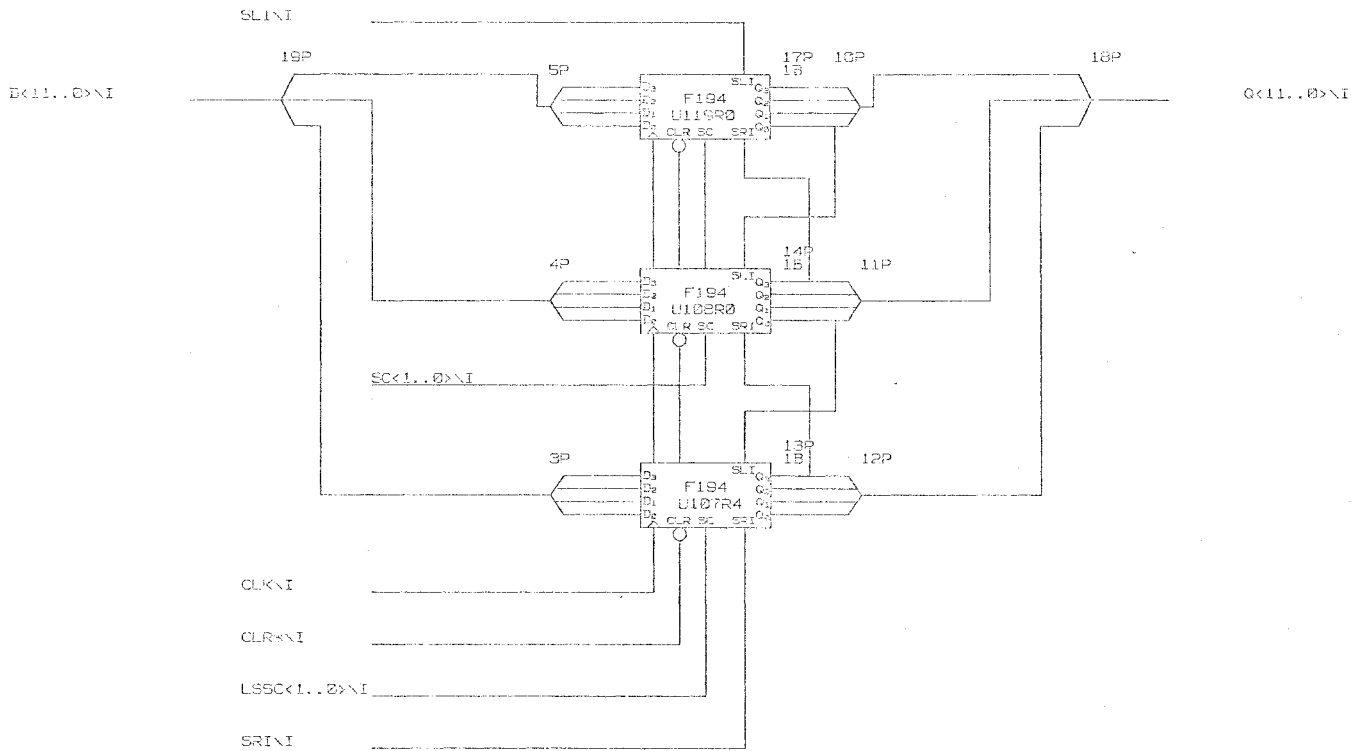


128
127
126
125

THIS DOCUMENT CONTAINS INFORMATION PROPRIETARY TO CONVEX COMPUTER CORPORATION (CONVEX). USE OR DISCLOSURE WITHOUT THE WRITTEN PERMISSION OF AN OFFICER OF CONVEX IS EXPRESSLY FORBIDDEN. COPYRIGHT (C) CONVEX 1984



TITLE: TAR	ABBR: TAR
DRAWING: 410-000121-000 C01	ENGR: ENGINEER
REVISED: Fri Oct 25 09:44:42 1984	PAGE: TOP.5 CACHE.11 TAR.1



C
B
A

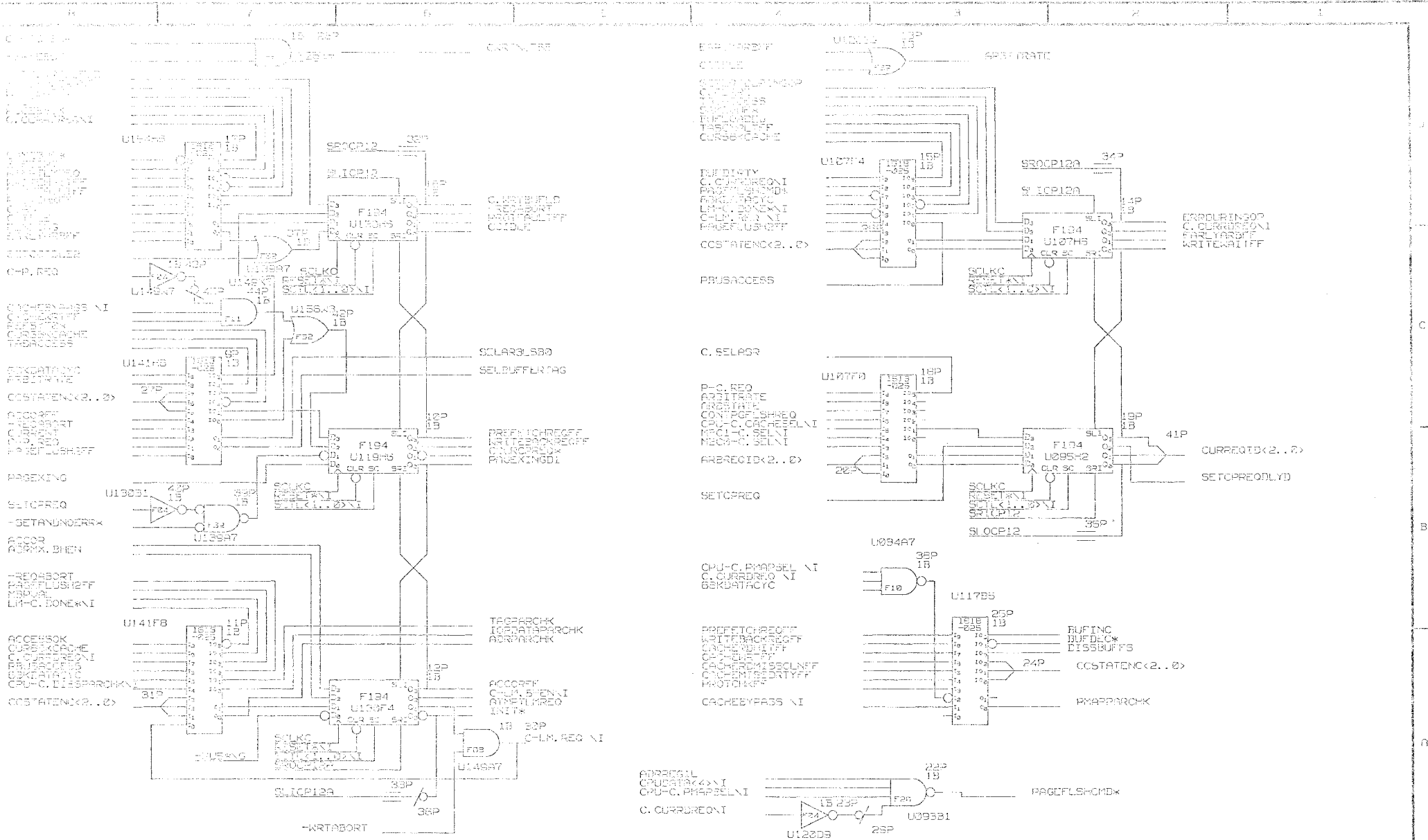
100
100
100

THIS DOCUMENT CONTAINS INFORMATION PROPRIETARY TO CONVEX COMPUTER CORPORATION (CONVEX). USE OR DISCLOSURE WITHOUT THE WRITTEN PERMISSION OF AN OFFICER OF CONVEX IS EXPRESSLY FORBIDDEN. COPYRIGHT (C) CONVEX 1984



CONVEX

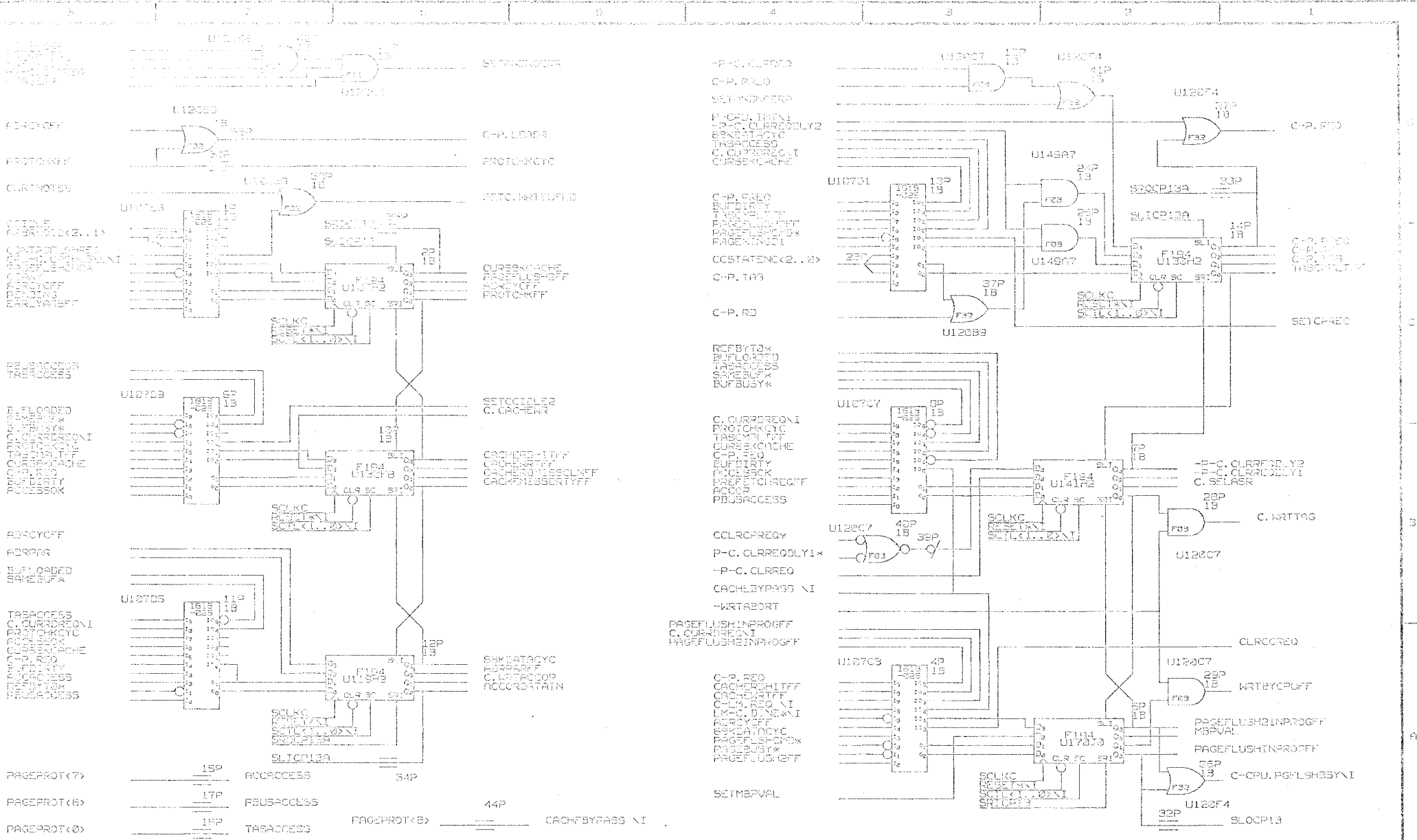
TITLE: CAR	ABBR: CAR
DRAWING: 410-000121-000 C01	ENGR: ENGINEER
REVISED: Fri Oct 25 09:45:03 1984	PAGE: TOP.5 CACHE.11 CAR.1



THIS DOCUMENT CONTAINS INFORMATION PROPRIETARY TO CONVEX COMPUTER CORPORATION (CONVEX). USE OR DISCLOSURE WITHOUT THE WRITTEN PERMISSION OF AN OFFICER OF CONVEX IS EXPRESSLY FORBIDDEN. COPYRIGHT (C) CONVEX 1984



TITLE: CACHE	ANBR: CACHE
DRAWING: 410-000121-000 C01	ENGR: GOLDENBERG
REVISED: Fri Oct 26 09:52:20 1984	PNCE: TOP.S CACHE.12

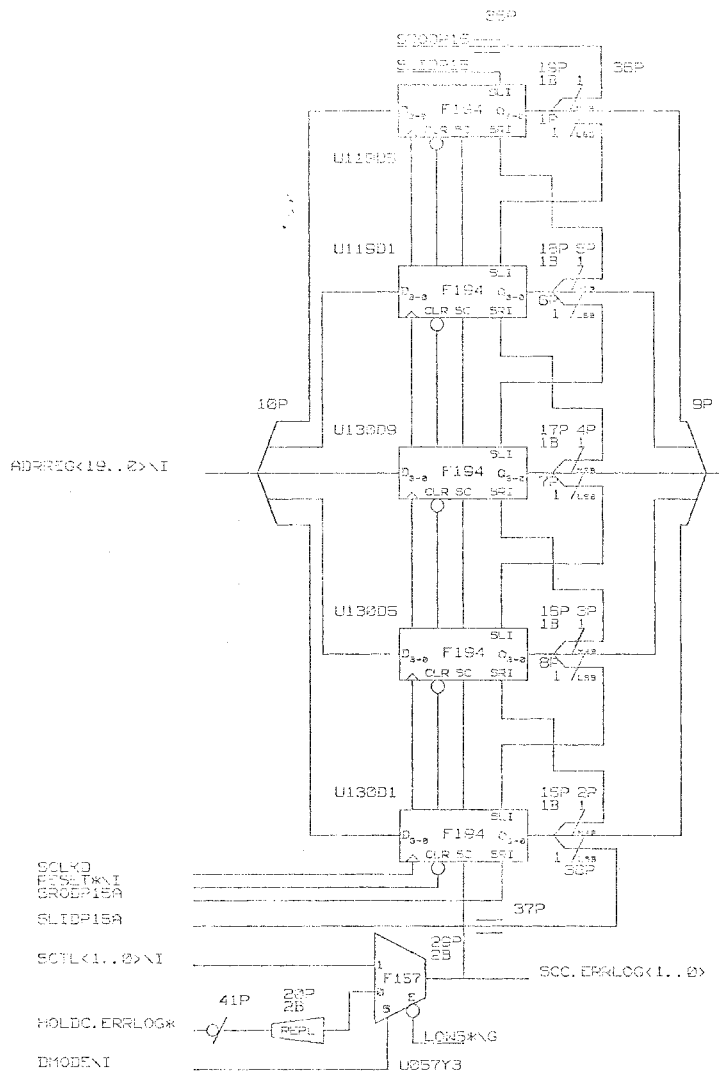


THIS DOCUMENT CONTAINS INFORMATION PROPRIETARY TO CONVEX COMPUTER CORPORATION (CONVEX). USE OR DISCLOSURE WITHOUT THE WRITTEN PERMISSION OF AN OFFICER OF CONVEX IS EXPRESSLY FORBIDDEN. COPYRIGHT (C) CONVEX 1984



CONVEX

TITLE: CACHE	ASSN: CACHE
DRAWING: 410-000121-300 C01	ENGR: COLEMBIESKI
REVISED: Fri Oct 25 29:35:57 1984	PAGE: IOP.5 CACHE.13



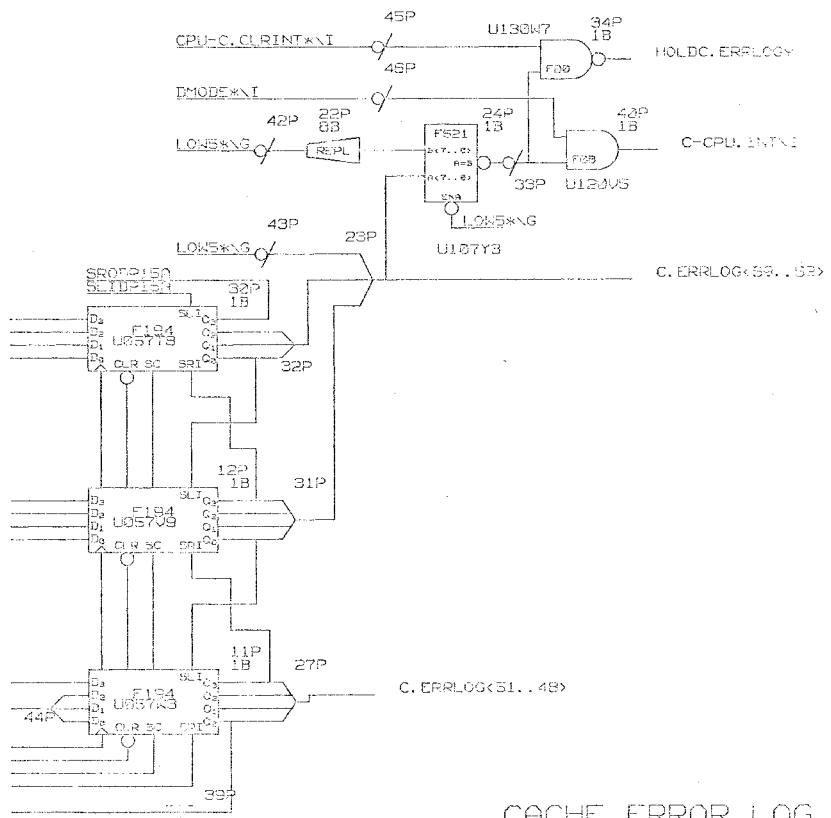
C.ERRLOG<19..2>

PUSG
ADR<19..2>
LIM<19..2>
-LOW<19..2>

PMAPERR
PROTERR
TAGERR
IOPDATA<19..2>

C.CURRDR0<N>
CURRDRID<2..2>

SCLKD
RESET<N>
SCC.ERRLOG<1..2>
SLEEP15
SLEEP15



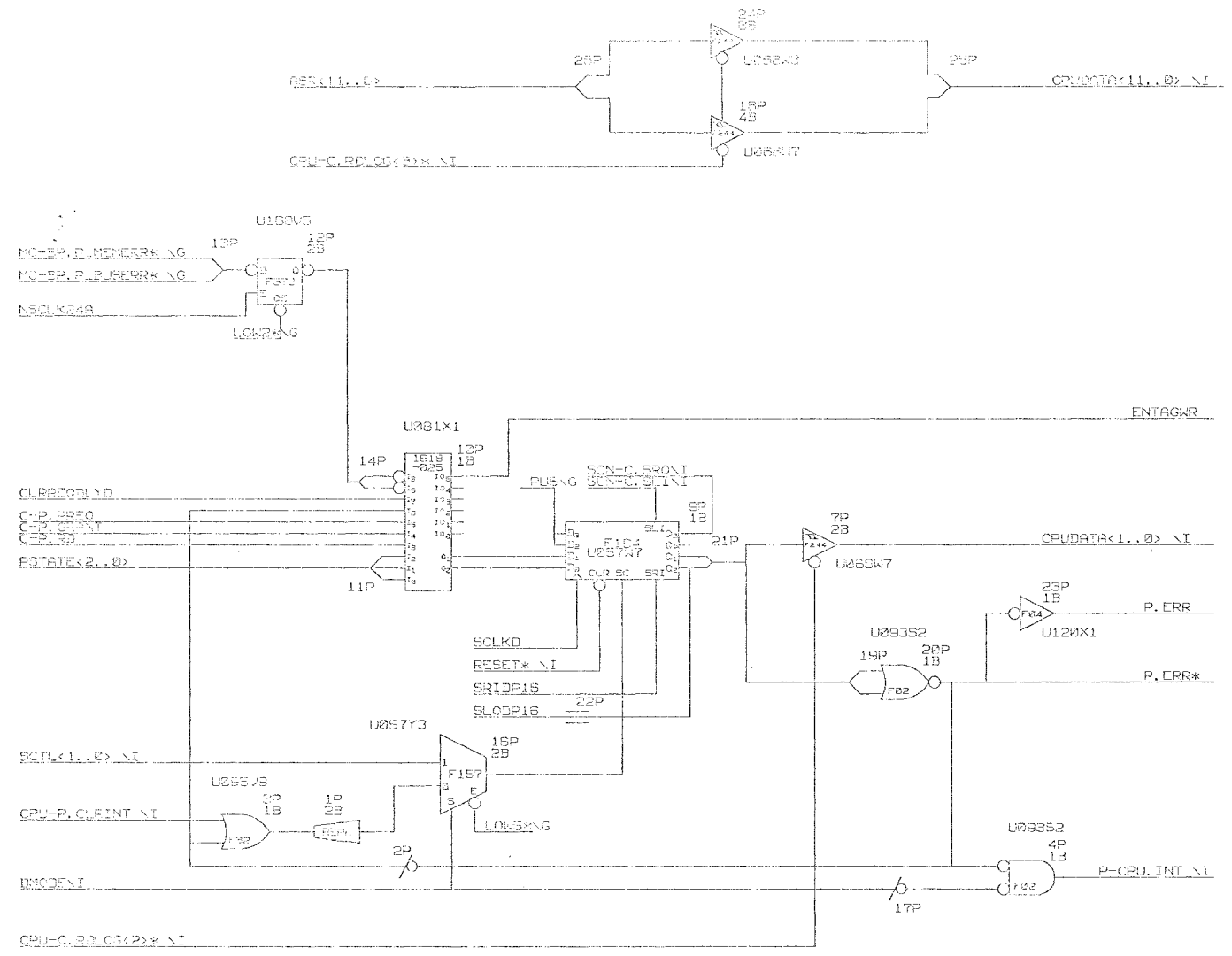
CACHE ERROR LOG

THIS DOCUMENT CONTAINS INFORMATION PROPRIETARY TO CONVEX COMPUTER CORPORATION (CONVEX). USE OR DISCLOSURE WITHOUT THE WRITTEN PERMISSION OF AN OFFICER OF CONVEX IS EXPRESSLY FORBIDDEN. COPYRIGHT (C) CONVEX 1984



CONVEX

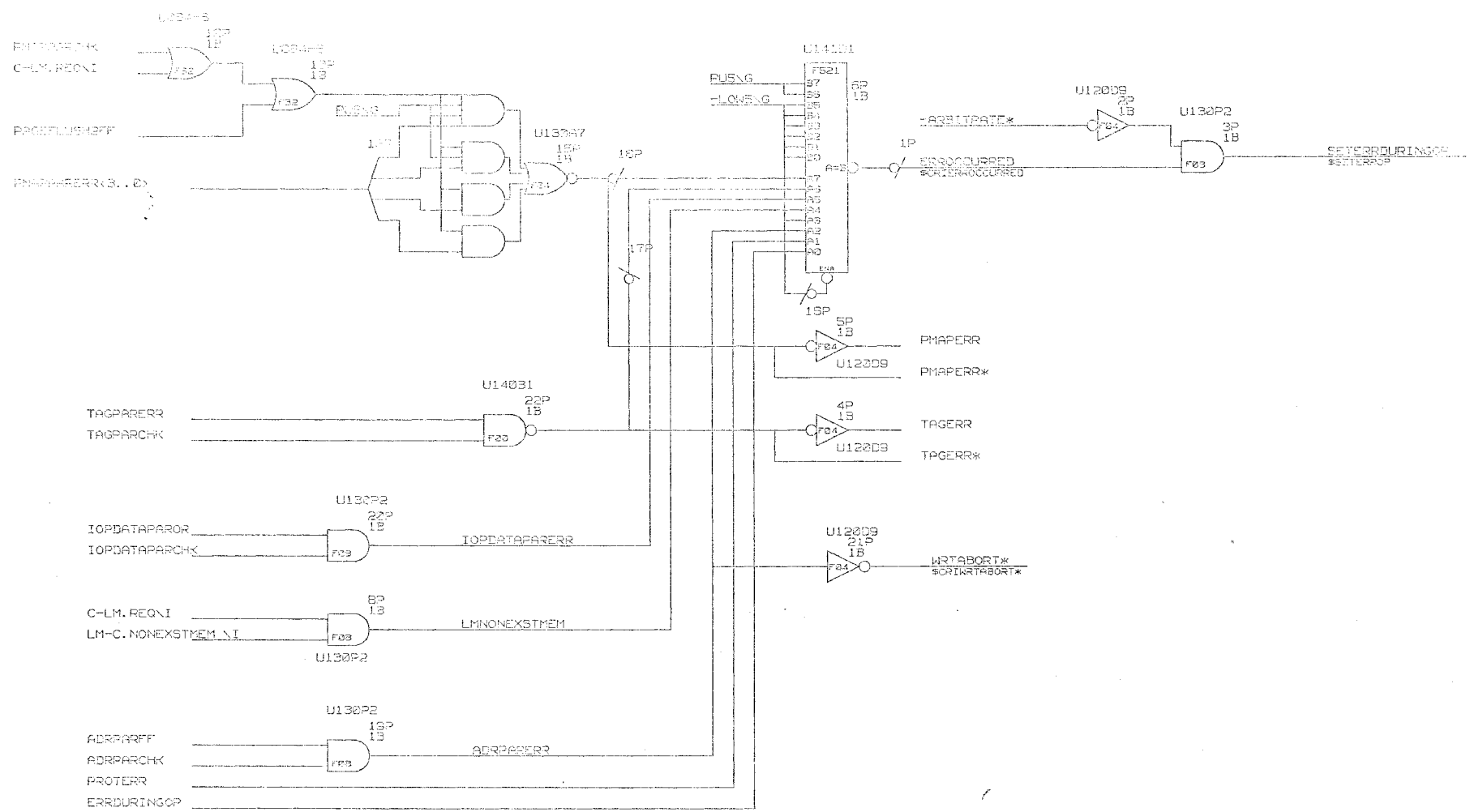
TITLE: CACHE		ABBR: CACHE
DRAWING: 410-000121-300 C01		ENGR: ENGINEER
REVISED: Fri Oct 25 09:35:12 1984	PAGE:	TOP 5 CACHE.15
3	2	1



THIS DOCUMENT CONTAINS INFORMATION PROPRIETARY TO CONVEX COMPUTER CORPORATION (CONVEX). USE OR DISCLOSURE WITHOUT THE WRITTEN PERMISSION OF AN OFFICER OF CONVEX IS EXPRESSLY FORBIDDEN. COPYRIGHT (C) CONVEX 1984



TITLE: CACHE (PBUS ERROR LOG)	ASBR: CACHE
DRAWING: 410-000121-300 C01	ENGR: NOBLEB
REVISED: Fri Oct 26 09:26:50 1984	PAGE: IOP.5 CACHE.15



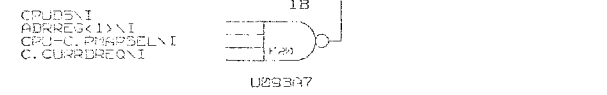
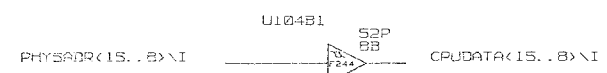
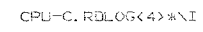
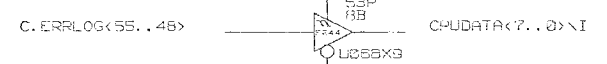
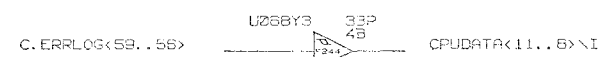
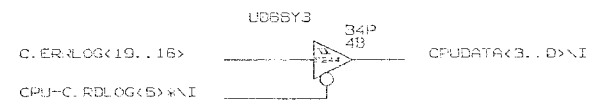
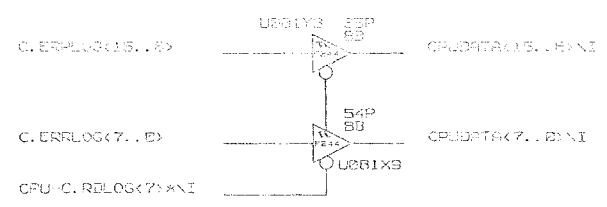
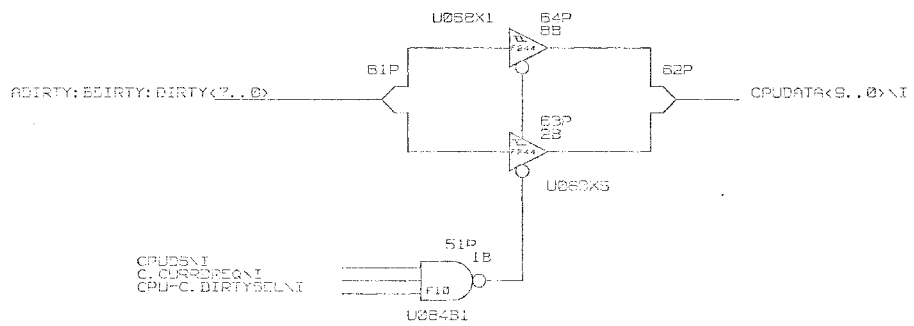
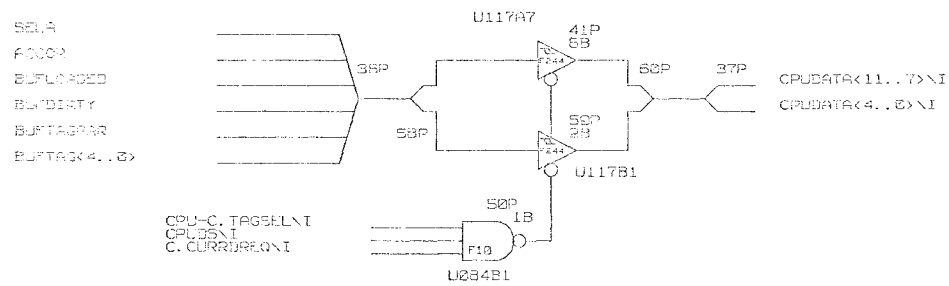
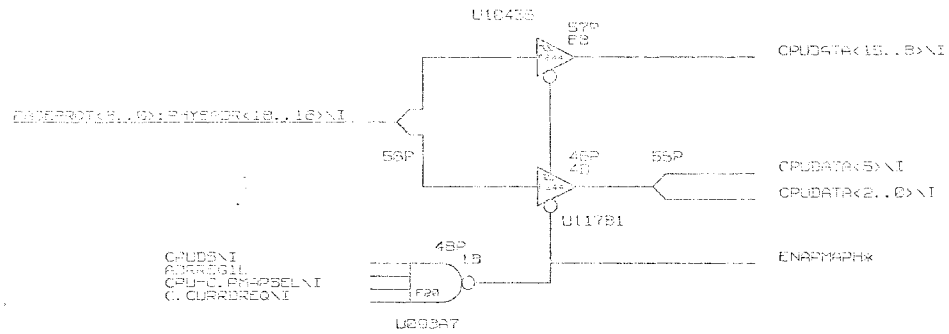
ERROR CHECK

THIS DOCUMENT CONTAINS INFORMATION PROPRIETARY TO CONVEX COMPUTER CORPORATION (CONVEX). USE OR DISCLOSURE WITHOUT THE WRITTEN PERMISSION OF AN OFFICER OF CONVEX IS EXPRESSLY FORBIDDEN. COPYRIGHT (C) CONVEX 1984



CONVEX

TITLE: CACHE	ABBR: CACHE
DRAWING: 410-020121-300 001	ENGR: WAG05DY
REVISED: Fri Oct 25 09:37:14 1984	PAGE: IOP.5 CACHE.17



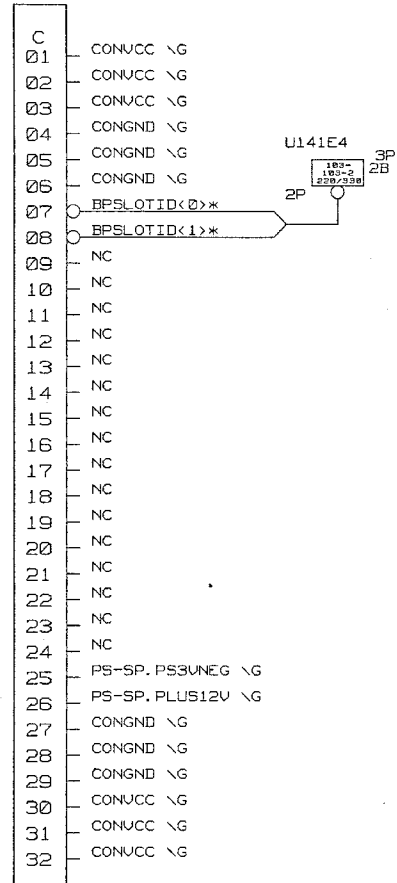
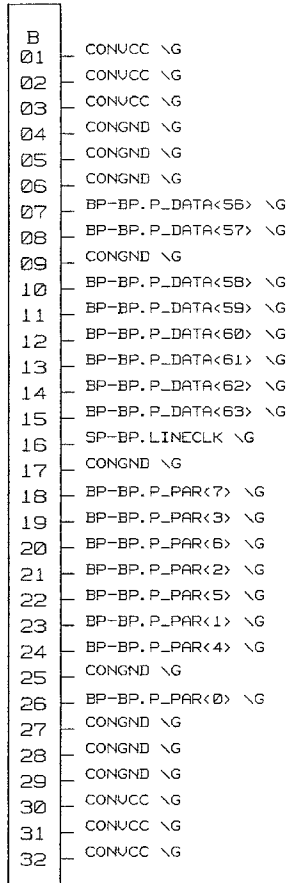
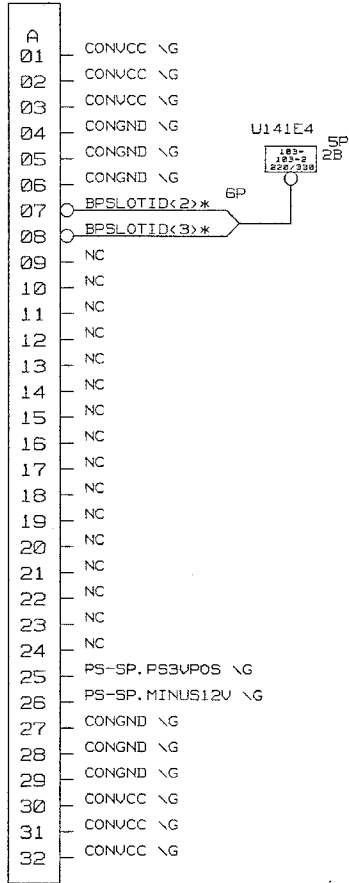
DIAGNOSTIC READ ACCESS BUFFERS

THIS DOCUMENT CONTAINS INFORMATION PROPRIETARY TO CONVEX COMPUTER CORPORATION (CONVEX). USE OR DISCLOSURE WITHOUT THE WRITTEN PERMISSION OF AN OFFICER OF CONVEX IS EXPRESSLY FORBIDDEN. COPYRIGHT (C) CONVEX 1984



TITLE:	CACHE	ABBR:	CACHE
DRAWING:	410-220121-320 C01	ENGR:	JOSEPH RED
REVISED:	Fri Oct 25 09:37:57 1984	PAGE:	IOP.5 CACHE.13

U188D9
300-41612-396
1P



CONNECTOR P1

THIS DOCUMENT CONTAINS INFORMATION PROPRIETARY TO CONVEX COMPUTER CORPORATION (CONVEX). USE OR DISCLOSURE WITHOUT THE WRITTEN PERMISSION OF AN OFFICER OF CONVEX IS EXPRESSLY FORBIDDEN. COPYRIGHT (C) CONVEX 1984



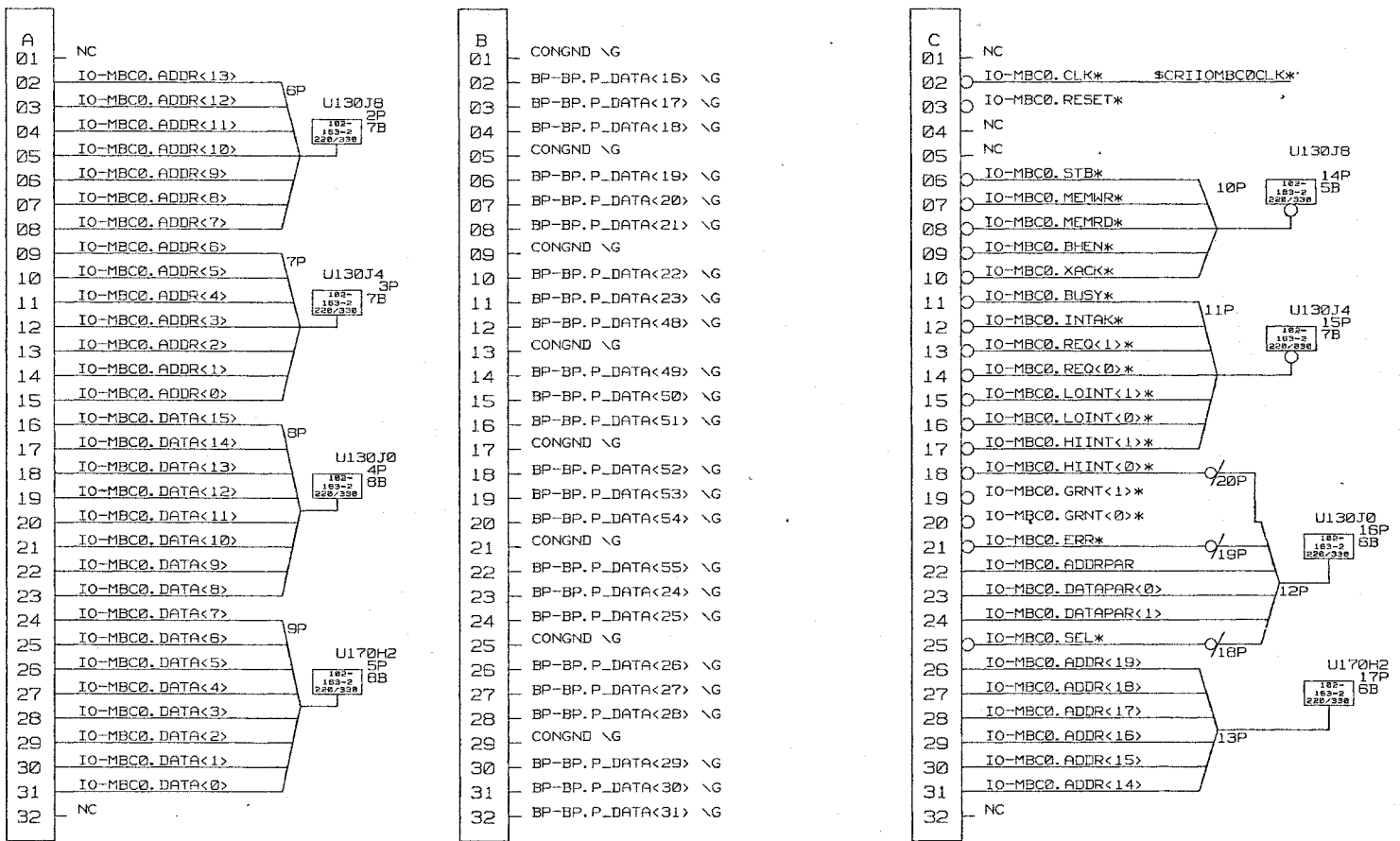
TITLE: IOP
DRAWING: 410-000121-300 C01

ABBR: IOP
ENGR: NOBLES

REVISED: Thu Oct 25 15:38:05 1984

PAGE: IOP. 7

U188J8
300-41612-395
1P



CONNECTOR P2

THIS DOCUMENT CONTAINS INFORMATION PROPRIETARY TO CONVEX COMPUTER CORPORATION (CONVEX). USE OR DISCLOSURE WITHOUT THE WRITTEN PERMISSION OF AN OFFICER OF CONVEX IS EXPRESSLY FORBIDDEN. COPYRIGHT (C) CONVEX 1984



TITLE: IOP	ABBR: IOP
DRAWING: 410-000121-300 C01	ENGR: NOBLES
REVISED: Thu Oct 25 15:36:54 1984	PAGE: IOP.B

U188N7
300-41612-396

1P

A	
01	NC
02	NC
03	NC
04	NC
05	NC
06	NC
07	NC
08	NC
09	NC
10	NC
11	NC
12	NC
13	NC
14	NC
15	NC
16	NC
17	NC
18	NC
19	NC
20	NC
21	NC
22	NC
23	NC
24	NC
25	NC
26	NC
27	NC
28	NC
29	NC
30	NC
31	NC
32	NC

B	
01	CONGND \G
02	BP-BP.P_DATA<8> \G
03	BP-BP.P_DATA<9> \G
04	BP-BP.P_DATA<10> \G
05	CONGND \G
06	BP-BP.P_DATA<11> \G
07	BP-BP.P_DATA<12> \G
08	BP-BP.P_DATA<13> \G
09	CONGND \G
10	BP-BP.P_DATA<14> \G
11	BP-BP.P_DATA<15> \G
12	BP-BP.P_DATA<40> \G
13	CONGND \G
14	BP-BP.P_DATA<41> \G
15	BP-BP.P_DATA<42> \G
16	BP-BP.P_DATA<43> \G
17	CONGND \G
18	BP-BP.P_DATA<44> \G
19	BP-BP.P_DATA<45> \G
20	BP-BP.P_DATA<46> \G
21	CONGND \G
22	BP-BP.P_DATA<47> \G
23	BP-BP.P_IBINTV<0>\G
24	BP-BP.P_IBINTV<1>\G
25	CONGND \G
26	BP-BP.P_IBINTV<2>\G
27	BP-BP.P_IBINTV<3>\G
28	BP-BP.P_IBINTV<4>\G
29	CONGND \G
30	BP-BP.P_IBINTV<5>\G
31	BP-BP.P_IBINTV<6>\G
32	BP-BP.P_IBINTV<7>\G

C	
01	NC
02	NC
03	NC
04	NC
05	NC
06	NC
07	NC
08	NC
09	NC
10	NC
11	NC
12	NC
13	NC
14	NC
15	NC
16	NC
17	NC
18	NC
19	NC
20	NC
21	NC
22	NC
23	NC
24	NC
25	NC
26	NC
27	NC
28	NC
29	NC
30	NC
31	NC
32	NC

D
C
B
A

CONNECTOR P3

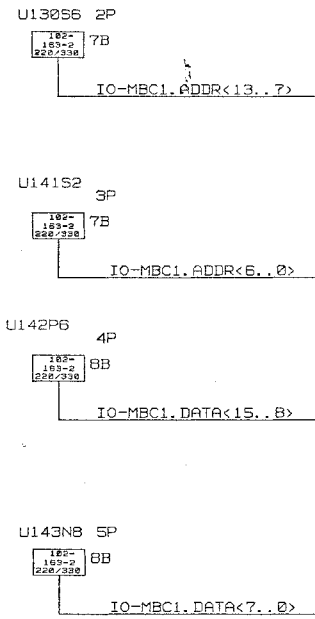
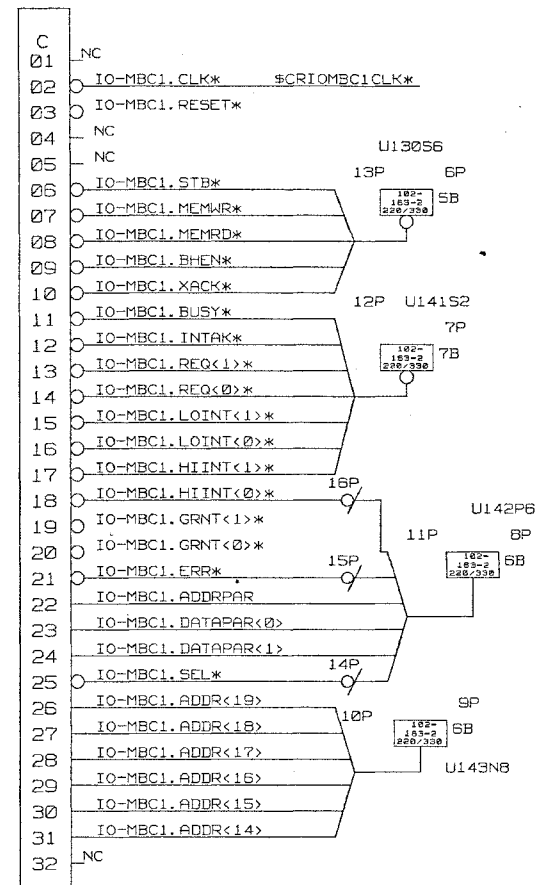
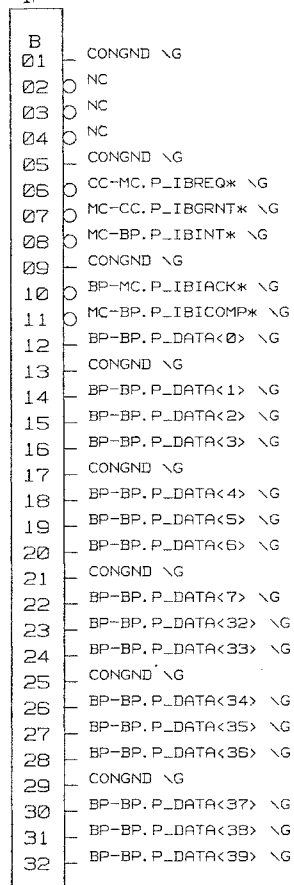
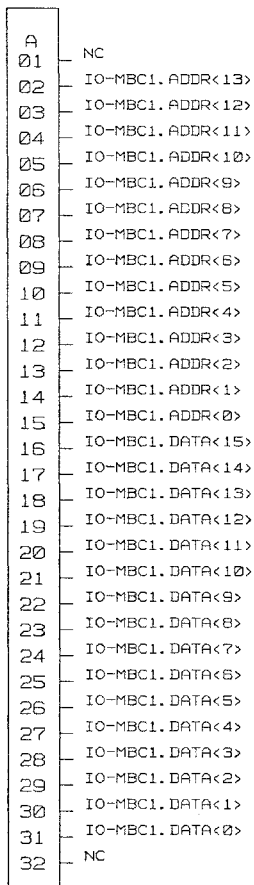
THIS DOCUMENT CONTAINS INFORMATION PROPRIETARY TO CONVEX COMPUTER CORPORATION (CONVEX). USE OR DISCLOSURE WITHOUT THE WRITTEN PERMISSION OF AN OFFICER OF CONVEX IS EXPRESSLY FORBIDDEN. COPYRIGHT (C) CONVEX 1984



TITLE: IOP	ABBR: IOP
DRAWING: 410-000121-300 C01	ENGR: NOBLES
REVISED: Thu Oct 25 15:37:25 1984	PAGE: IOP.9

U188T6
300-41612-396

1P



CONNECTOR P4

THIS DOCUMENT CONTAINS INFORMATION PROPRIETARY TO CONVEX COMPUTER CORPORATION (CONVEX). USE OR DISCLOSURE WITHOUT THE WRITTEN PERMISSION OF AN OFFICER OF CONVEX IS EXPRESSLY FORBIDDEN. COPYRIGHT (C) CONVEX 1984



TITLE: IOP	ABBR: IOP
DRAWING: 410-000121-300 C01	ENGR: NOBLES
REVISED: Thu Oct 25 15:38:01 1984	PAGE: IOP.10

U188Y5
300-41612-396
1P

A	
01	_CONUCC \G
02	_CONUCC \G
03	_CONUCC \G
04	_CONGND \G
05	_CONGND \G
06	_CONGND \G
07	_NC
08	_NC
09	_NC
10	_NC
11	_NC
12	_NC
13	_NC
14	_NC
15	_NC
16	_NC
17	_NC
18	_NC
19	_NC
20	_NC
21	_NC
22	_NC
23	_NC
24	_NC
25	_NC
26	_NC
27	_CONGND \G
28	_CONGND \G
29	_CONGND \G
30	_CONUCC \G
31	_CONUCC \G
32	_CONUCC \G

B	
01	_CONUCC \G
02	_CONUCC \G
03	_CONUCC \G
04	_CONGND \G
05	_CONGND \G
06	_CONGND \G
07	SP-CC_20MHZ \$CRI20MHZ
08	SP-CC_MPHASE \$CRIMPHASE
09	SP-CC_GPHASE \$CRIGPHASE
10	○ CC-SP.ERR*
11	○ SP-CC.ODENA*
12	○ SP-BP.CCDMODE*
13	○ SP-BP.CCCTL<0>*
14	○ SP-BP.CCCTL<1>*
15	○ SP-BP.CCLDRAM*
16	○ SP-BP.CCCLEAR*
17	○ SP-BP.CCMSBDOUT*
18	○ SP-BP.CCLSBDOUT*
19	_NC
20	○ CC-MC.P_CCR* \G
21	○ MC-CC.P_CCG* \G
22	○ BP-MC.P_CBAV* \G
23	○ MC-BP.P_MBAV* \G
24	○ BP-BP.P_DVAL* \G
25	○ MC-BP.P_BUSERR* \G
26	○ MC-BP.P_MEMERR* \G
27	_CONGND \G
28	_CONGND \G
29	_CONGND \G
30	_CONUCC \G
31	_CONUCC \G
32	_CONUCC \G

C	
01	_CONUCC \G
02	_CONUCC \G
03	_CONUCC \G
04	_CONGND \G
05	_CONGND \G
06	_CONGND \G
07	_NC
08	_NC
09	_NC
10	_NC
11	_NC
12	_NC
13	_NC
14	_NC
15	_NC
16	_NC
17	_NC
18	_NC
19	_NC
20	_NC
21	_NC
22	_NC
23	_NC
24	_NC
25	_NC
26	_NC
27	_CONGND \G
28	_CONGND \G
29	_CONGND \G
30	_CONUCC \G
31	_CONUCC \G
32	_CONUCC \G

CONNECTOR P5

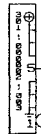
THIS DOCUMENT CONTAINS INFORMATION PROPRIETARY TO CONVEX COMPUTER CORPORATION (CONVEX). USE OR DISCLOSURE WITHOUT THE WRITTEN PERMISSION OF AN OFFICER OF CONVEX IS EXPRESSLY FORBIDDEN. COPYRIGHT (C) CONVEX 1984



TITLE: IOP	ABBR: IOP
DRAWING: 410-000121-300 C01	ENGR: NOBLES
REVISED: Thu Oct 25 15:38:31 1984	PAGE: IOP.11

U004W2

1P
1B



PCONV

PCONGND*

D

C

B

A

THIS DOCUMENT CONTAINS INFORMATION PROPRIETARY TO CONVEX COMPUTER CORPORATION (CONVEX). USE OR DISCLOSURE WITHOUT THE WRITTEN PERMISSION OF AN OFFICER OF CONVEX IS EXPRESSLY FORBIDDEN. COPYRIGHT (C) CONVEX 1984



CONVEX

TITLE: IOP
DRAWING: 410-000121-300 C01

ABBR: IOP
ENGR: LOCKHART

REVISED: Thu Oct 25 15:36:58 1984 PAGE: IOP.12